

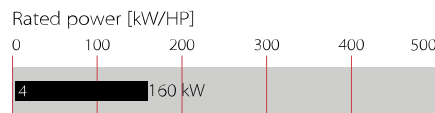
Ecosine Compact Economy Line of Passive Harmonic Filters



- Economy line of passive harmonic filters for THID <10%
- Help to comply with EN 61000-3-12, IEEE-519 and other PQ standards
- Support an efficient utilization of electrical system capacity
- Ideal for motor drives with 6-pulse rectifier front-end
- Suitable for diode and thyristor (SCR) rectifiers applications



Performance indicators



Technical specifications

Nominal operating voltage	3x 380 to 500 VAC ±10%
Operating frequency	50Hz ±1 Hz (FN 3416)
Total harmonic current distortion THID*	<10% @ rated power (with DC-Link choke) <15% @ rated power (without DC-Link choke)
Total demand distortion TDD	According to IEEE-519
Nominal motor drive input power rating	4 to 160 kW
Efficiency	>98% @ nominal line voltage and power
High potential test voltage	P -> E 2500 VAC (2 sec)
Protection category	IP 20
Cooling	Internal fan cooling, unregulated
Overload capability	1.6x rated current for 1 minute, once per hour
Ambient temperature range	-25°C to +45°C fully operational -25°C to +70°C transport and storage +45°C to +55°C derated operation**
Flammability corresponding to	UL 94 V-2 or better
Design corresponding to	UL 508, EN 61558-2-20, CE (LVD2006/95/EC)
MTBF @ 45°C/500 V (Mil-HB-217F)	200,000 hours
SCCR***	100 kA
Earthing System	TN, TT, IT

* System requirements: THVD <2%, line voltage unbalance <1%
 Note: performance specifications in this datasheet refer to six-pulse diode rectifiers.
 SCR rectifier front-end will produce different results, depending upon the firing angle of the thyristors.
 ** I_{derated} = I_{nominal} * √((70°C-T_{amb})/25°C)
 *** External UL-rated fuses required.

Approvals



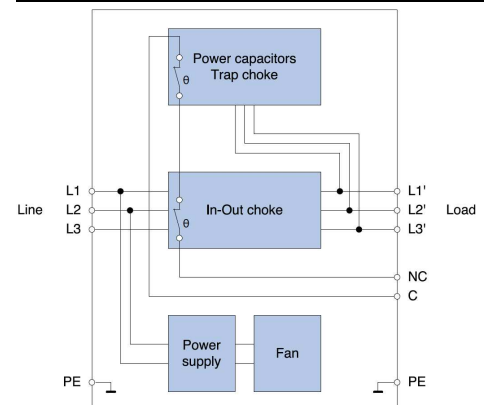
Features and benefits

FN 3416 (50 Hz) models of the ECOsine product family represent the very compact "economy line" with a THID performance of ≤10% (with Ldc). They are ideal for non-linear three-phase equipment with B6 rectifier front-end that do not require the industry leading <5% THID performance provided by Schaffner ECOsine FN 3410/12 filters. The performance is still sufficient to comply with EN 61000-3-12 or with IEEE-519 for I_{sc}/I_L <50. Schaffner ECOsine filters help to unburden the electrical infrastructure from excess loading and heat caused by current harmonics, and therefore support a better utilization of electric system capacity. Lower harmonics also reduce the risk of system resonances and potential downtime of sensitive electronic equipment. FN 3416/18 filters upgrade standard motor drives to "low-harmonic drives" quickly and easily.

Typical applications

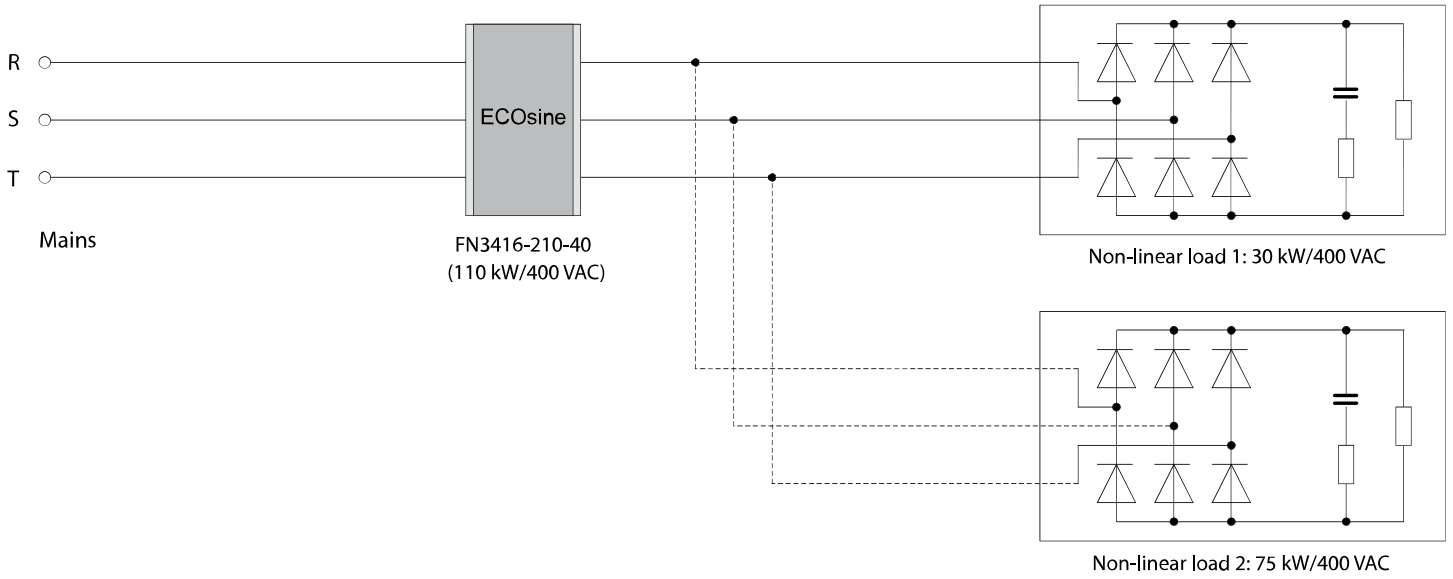
- Three-phase power conversion equipment with front-end six-pulse rectifier (diode or SCR)
- Motor drives, like those used e.g. in pump and fan applications
- Battery chargers, incl. DC fast chargers for e-cars

Typical electrical schematic

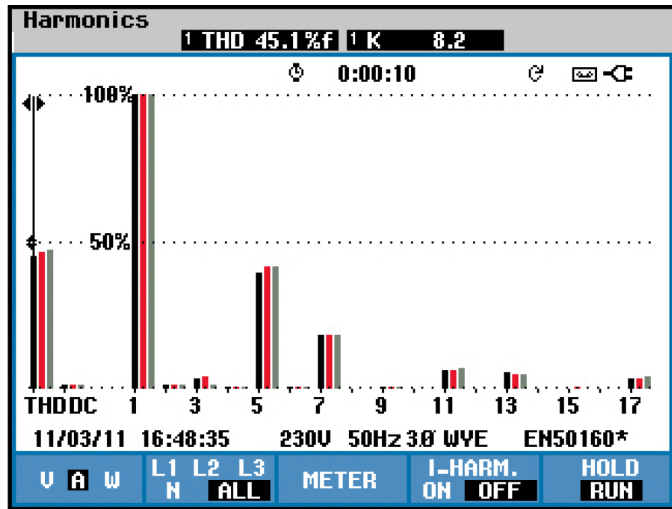


Filter application

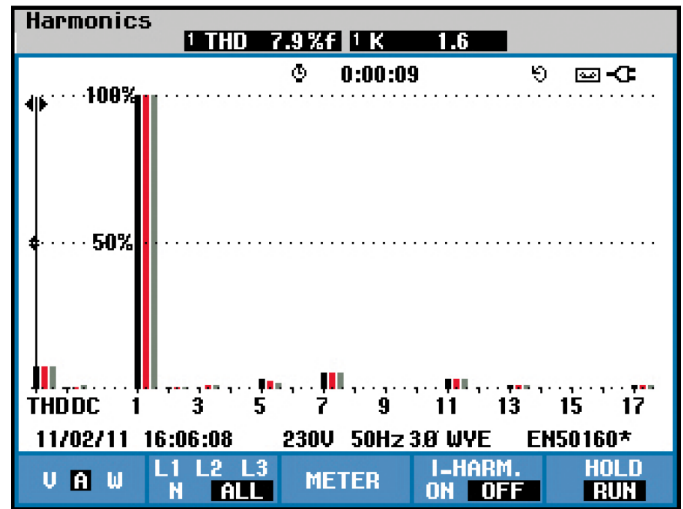
ECOsine filters are best installed directly at the input of 6-pulse rectifiers. It is possible to connect several non-linear loads (e.g. motor drives) in parallel. In this case the rating of the filter must match the sum of the power ratings of drives connected to it. The use of a (built-in) DC-link choke is recommended for best harmonics mitigation performance. If the expected input power exceeds the rating of the largest available filter, and a custom solution is not desired, then two or more filters can be wired in parallel. In this mode of operation, it is recommended to use filters with equal power ratings to ensure proper current sharing.



Typical filter performance



Motor drive with L_{DC} without harmonic filter



Motor drive with L_{DC} with ECOsine FN 3416

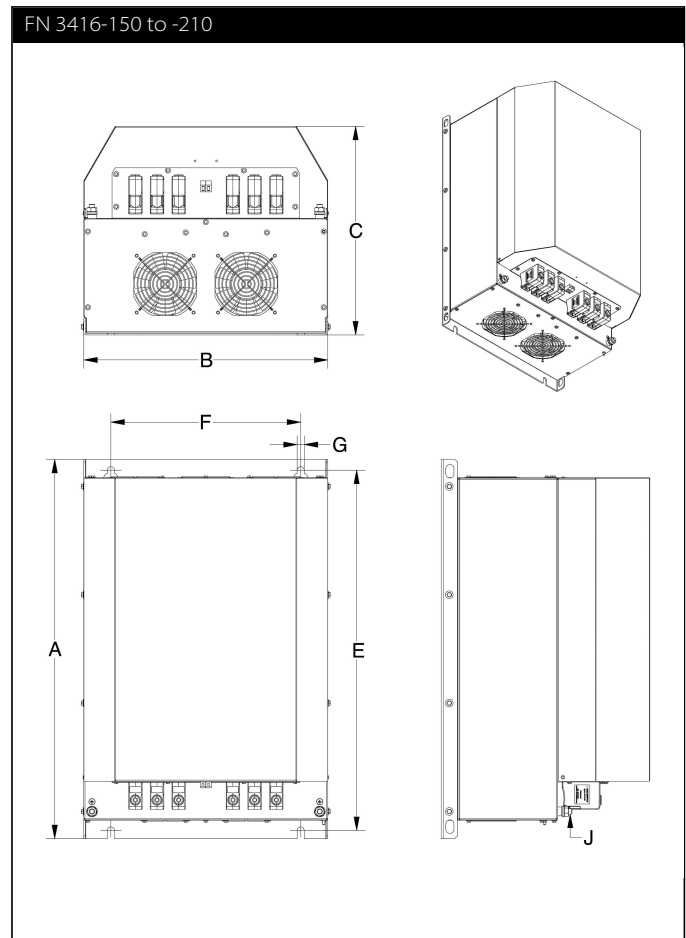
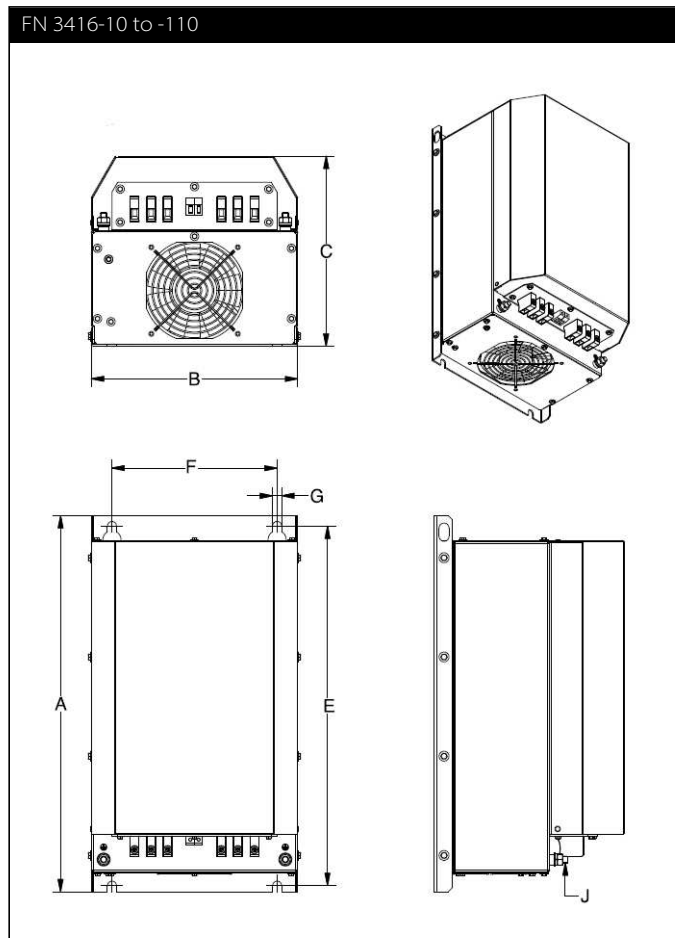
Filter selection table

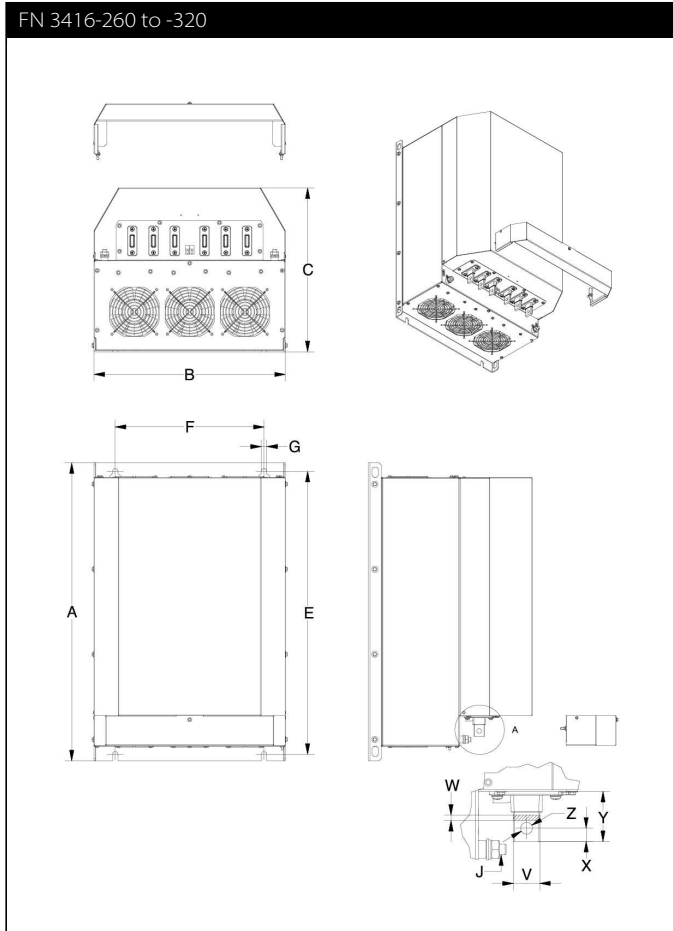
Filter*	Rated load power @ 400 VAC/50 Hz	Rated load power @ 500 VAC/50 Hz	Power loss** @ 25°C/50 Hz	Input/output connections		Weight
	[kW]	[kW]	[W]			[kg]
FN 3416-10-44	4	5.5	63	-44		10
FN 3416-13-44	5.5	7.5	82	-44		10
FN 3416-16-44	7.5	11	105	-44		15
FN 3416-24-33	11	15	153	-33		20
FN 3416-32-33	15	18.5	294	-33		22
FN 3416-38-33	18.5	22	256	-33		25
FN 3416-45-33	22	30	306	-33		29
FN 3416-60-34	30	37	408	-34		37
FN 3416-75-34	37	45	410	-34		43
FN 3416-90-35	45	55	493	-35		47
FN 3416-110-35	55	75	546	-35		50
FN 3416-150-40	75	90	784	-40		86
FN 3416-180-40	90	110	817	-40		92
FN 3416-210-40	110	132	887	-40		100
FN 3416-260-99	132	160	947		-99	125
FN 3416-320-99	160	200	988		-99	135

* Filter to be selected by system voltage and load (motor drive) power. Note: the harmonic filter will reduce RMS input current. Therefore, filter selection by current rating, as is common for EMC/EMI filters, is not recommended.

** Calculated power loss at rated load power.

Mechanical Data





Dimensions

FN 3416-...	10	13	16	24	32	38	45	60	75	90	110	150	180	210	260	320
A	390	390	390	455	455	455	455	520	520	580	580	700	700	700	700	700
B	185	185	185	250	250	250	280	280	280	280	280	450	450	450	450	450
C	190	190	190	230	230	230	230	248	248	248	248	385	385	385	385	385
E	370	370	370	435	435	435	435	500	500	555	555	665	665	665	665	665
F	140	140	140	200	200	200	200	225	225	225	225	350	350	350	350	350
G	9	9	9	11	11	11	11	11	11	11	11	13	13	13	13	13
J	M6	M6	M6	M8	M8	M8	M8	M8	M8	M8	M10	M10	M10	M10	M10	M10
V															25	25
W															6	6
X															12.5	12.5
Y															47	47
Z															11	11

All dimensions in mm; 1 inch = 25.4 mm
Tolerances according to: ISO 2768-m/EN 22768-m

Filter connector cross sections	-33	-34	-35	-40	-44
Solid wire	16 mm ²	35 mm ²	50 mm ²	95 mm ²	10 mm ²
Flex wire	10 mm ²	25 mm ²	50 mm ²	95 mm ²	6 mm ²
AWG type wire	AWG 6	AWG 2	AWG 1/0	AWG 4/0	AWG 8
Recommended torque	1.5–1.8 Nm	4.0–4.5 Nm	7–8 Nm	17–20 Nm	1.0–1.2 Nm

Please visit www.schaffner.com to find more details on filter connectors.

Installation

For more detailed information and step by step installation guidelines, please consult the user manual at www.schaffner.com or the installation instructions (delivered with each filter).



Headquarters, global innovation and development

Switzerland

Schaffner Group

Nordstrasse 11
4542 Luterbach
T +41 32 681 66 26
info@schaffner.com
www.schaffner.com



Sales and application centers

China

Schaffner EMC Ltd. Shanghai

T20-3 C, No 565 Chuangye Road,
Pudong district
201201 Shanghai
T +86 21 3813 9500
cschina@schaffner.com
www.schaffner.com.cn

Finland

Schaffner Oy

Sauvonrinne 19 H
08500 Lohja
T +358 50 468 7284
finlandsales@schaffner.com

France

Schaffner EMC S.A.S.

16-20 Rue Louis Rameau
95875 Bezons
T +33 1 34 34 30 60
F +33 1 39 47 02 28
francesales@schaffner.com

Germany

Schaffner Deutschland GmbH

Schoemperlenstrasse 12B
76185 Karlsruhe
T +49 721 56910
F +49 721 569110
germanysales@schaffner.com

India

Schaffner India Pvt. Ltd

REGUS WORLD TRADE CENTRE
WTC, 22nd Floor Unit No 2238, Brigade
Gateway Campus, 26/1, Dr. Rajkumar Road
Malleswaram (W)
560055 Bangalore
T +91 80 67935355
indiasales@schaffner.com

Italy

Schaffner EMC S.r.l.

Via Ticino, 30
20900 Monza (MB)
T +39 039 21 41 070
italysales@schaffner.com

Japan

Schaffner EMC K.K.

1-32-12, Kamiyama, Setagaya-ku
7F Mitsui-seimei Sangenjaya Bldg.
154-0011 Tokyo
T +81 3 5712 3650
F +81 3 5712 3651
japansales@schaffner.com
www.schaffner.jp

Singapore

Schaffner EMC Pte Ltd.

#05-09, Kg Ubi Ind. Estate
408705 Singapore
T +65 6377 3283
F +65 6377 3281
singaporesales@schaffner.com

Spain

Schaffner EMC España

Calle Caléndula 93, Miniparc III, Edificio E
El Soto de Moraleja, Alcobendas
28109 Madrid
T +34 917 912 900
F +34 917 912 901
spainsales@schaffner.com

Sweden

Schaffner EMC AB

Tegeluddsvägen 76, 2tr
115 28 Stockholm
T +46 8 5050 2425
swedensales@schaffner.com
www.schaffner.com

Switzerland

Schaffner EMV AG

Nordstrasse 11
4542 Luterbach
T +41 32 681 66 26
switzerlandsales@schaffner.com

Taiwan R.O.C.

Schaffner EMV Ltd.

20 Floor-2, No 97, Section 1, XinTai 5th Road
22175 XiZhi District New Taipei City 22175
T +886 2 2697 5500
F +886 2 2697 5533
taiwansales@schaffner.com
www.schaffner.com.tw

Thailand

Schaffner EMC Co. Ltd.

Northern Region Industrial Estate
67 Moo 4 Tambon Ban Klang
Amphur Muangng P.O. Box 14
51000 Lamphun
T +66 53 58 11 04
F +66 53 58 10 19
thailandsales@schaffner.com

United Kingdom

Schaffner Ltd.

5 Ashville Way, Molly Millars Lane
Wokingham
RG41 2PL Berkshire
T +44 118 9770070
F +44 118 9792969
uksales@schaffner.com

USA

Schaffner EMC Inc.

52 Mayfield Avenue
08837 Edison, New Jersey
T +1 800 367 5566
T +1 732 225 9533
F +1 732 225 4789
usasales@schaffner.com
www.schaffnerusa.com

Schaffner North America

6722 Thirlane Road
24019 Roanoke, Virginia
T +1 276 228 7943
F +1 276 228 7953

Schaffner North America

823 Fairview Road
24382 Wytheville, Virginia
T +1 276 228 7943
F +1 276 228 7258

To find your local partner within Schaffner's global network: www.schaffner.com

© 2018 Schaffner Group

The content of this document has been carefully checked and understood. However, neither Schaffner nor its subsidiaries assume any liability whatsoever for any errors or inaccuracies of this document and the consequences thereof. Published specifications are subject to change without notice. Product suitability for any area of application must ultimately be determined by the customer. In all cases, products must never be operated outside their published specifications. Schaffner does not guarantee the availability of all published products. This disclaimer shall be governed by substantive Swiss law and resulting disputes shall be settled by the courts at the place of business of Schaffner Holding AG. Latest publications and a complete disclaimer can be downloaded from the Schaffner website. All trademarks recognized.