

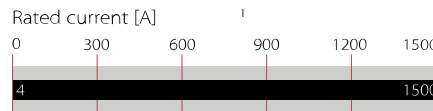
3-phase Line Reactor for Motor Drive & Power Quality Applications



- Provision of 4% impedance
- Reduction of mains harmonics
- Reduction of commutation notches
- Protection of motor drive electronics
- Limitation of inrush currents
- Improvement of true power factor



Performance indicators



Approvals



UL 508C up to 400 A. For use with AC or DC drives (power conversion equipment) only

Features and benefits

- Ensure reliability, performance and a long service life of electrical consumers
- Reduction of mains harmonics and commutation notches
- Help to meet international power quality standards such as IEEE-519 or EN 61000-3-2
- Protection of motor drive electronics and dc link capacitors against mains transients
- Reduction of inrush and peak currents
- Reduction of conducted LF emission
- Improvement of conducted LF immunity
- Prevention from nuisance tripping caused by power line voltage spikes
- Improvement of true power factor

Technical specifications

| | |
|--|--|
| Maximum continuous operating voltage | 3 x 500/288 VAC |
| Design corresponding to | EN 61558-2-20 (VDE 0570-2-20), UL 508C, CSA C22.2 NO.14 |
| Impedance | 4% @ 400 VAC, 50 Hz & rated current |
| Typical harmonics reduction | See table on next page |
| High potential test voltage | P -> E 3000 VAC for 3 sec P -> P 3000 VAC for 3 sec |
| Insulation class | T40/N (200°C) for ≤400 A types T40/F (155°C) for ≥500 A types T40/H (180°C) for 1500 A types |
| Protection category | IP 00 (KL types according to VBG 4) |
| Rated currents | 4 to 1500 A @ 40°C |
| Overload capability | 2 x rated current at switch on for 30 seconds 1.5 x rated current for 1 minute, once per hour |
| Flammability corresponding to | UL 94 V-2 or better |
| Temperature range (operation and storage) | -25°C to +100°C (25/100/21) |
| MTBF @ 40°C/400 V (Mil-HB-217F) | >500,000 hours |

Typical applications

- Motor drives and various adjustable speed drive systems, such as:
- Elevators
- Robots
- Machinery
- Process automation equipment

Typical electrical schematic



Reactor selection table

| Reactor | Rated current | Typical drive | Nominal | Typical | Input/Output | | Weight | Earthing bolt |
|----------------|---------------|-----------------------|--------------------|---------------------|--------------|----|---------------|---------------|
| | @ 40°C [A] | power rating* [kW] | inductance [mH] | power loss** [W] | connections | | Total [kg] | |
| RWK 212-4-KL | 4 | 1.5 | 7.3 | 23 | KL | | 2.1 | AMP 6,3 x 0,8 |
| RWK 212-7-KL | 7 | 3 | 4.2 | 36 | KL | | 2.5 | M4 |
| RWK 212-11-KL | 11 | 4 | 2.6 | 37 | KL | | 2.5 | M4 |
| RWK 212-16-KL | 16 | 7.5 | 1.8 | 59 | KL | | 3.9 | M5 |
| RWK 212-21-KL | 21 | 11 | 1.4 | 66 | KL | | 5.4 | M5 |
| RWK 212-29-KL | 29 | 15 | 1 | 69 | KL | | 5.4 | M5 |
| RWK 212-35-KL | 35 | 18.5 | 0.84 | 70 | KL | | 5.9 | M5 |
| RWK 212-46-KL | 46 | 22 | 0.64 | 99 | KL | | 11 | M6 |
| RWK 212-60-KL | 60 | 30 | 0.49 | 138 | KL | | 15 | M6 |
| RWK 212-75-KL | 75 | 37 | 0.39 | 133 | KL | | 15 | M6 |
| RWK 212-95-KL | 95 | 45 | 0.3 | 166 | KL | | 22 | M8 |
| RWK 212-124-KS | 124 | 55 | 0.23 | 172 | | KS | 25 | M8 |
| RWK 212-156-KS | 156 | 75 | 0.19 | 249 | | KS | 25 | M8 |
| RWK 212-182-KS | 182 | 90 | 0.16 | 245 | | KS | 32 | M10 |
| RWK 212-230-KS | 230 | 110/132 | 0.13 | 301 | | KS | 35 | M10 |
| RWK 212-280-KS | 280 | 160 | 0.1 | 335 | | KS | 41 | M10 |
| RWK 212-330-KS | 330 | 160 | 0.09 | 386 | | KS | 56 | M10 |
| RWK 212-400-S | 400 | 200 | 0.073 | 692 | | S | 57 | M10 |
| RWK 212-500-S | 500 | 250 | 0.058 | 761 | | S | 67 | M10 |
| RWK 212-600-S | 600 | 315 | 0.049 | 825 | | S | 76 | M10 |
| RWK 212-680-S | 680 | 355 | 0.043 | 876 | | S | 80 | M10 |
| RWK 212-790-S | 790 | 400 | 0.037 | 956 | | S | 90 | M10 |
| RWK 212-910-S | 910 | 450 | 0.032 | 1022 | | S | 107 | M10 |
| RWK 212-1100-S | 1100 | 630 | 0.026 | 1036 | | S | 135 | M10 |
| RWK 212-1310-S | 1310 | 725 | 0.023 | 1050 | | S | 100 | M10 |
| RWK 212-1500-S | 1500 | 830 | 0.020 | 1000 | | S | 225 | M10 |

Customized line reactors with different electrical and mechanical specifications are available on request.

* Calculated at rated current, 400 VAC and $\cos \phi=0.8$. The exact value depends upon the efficiency of the drive, the motor and the entire application.

** Power loss at 25°C/50 Hz, considering a typical harmonic spectrum of a motor drive with B6U rectifier bridge.

Harmonics reduction

Line reactors are a cost-effective way for the limitation of mains harmonics. The harmonics reduction capability is related to the reactor impedance. A higher impedance translates directly into lower harmonic currents, but of course also into a larger component with a higher voltage drop – and vice versa.

4% impedance reactors like RWK 212 provide an excellent cost/benefit ratio and are particularly beneficiary in the most diverse motor drive applications.

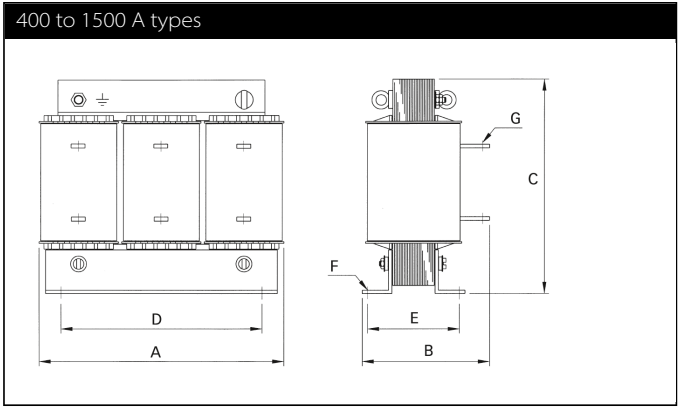
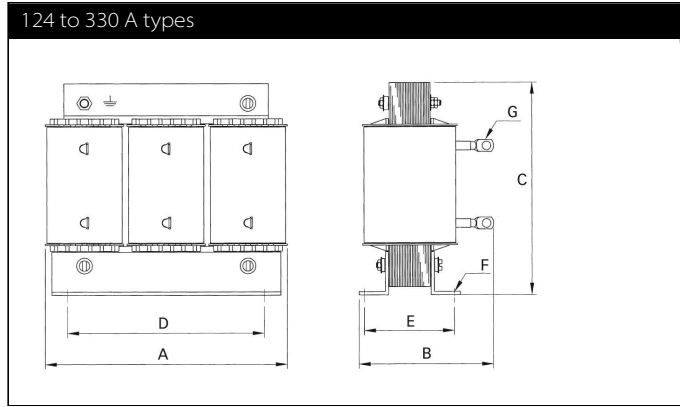
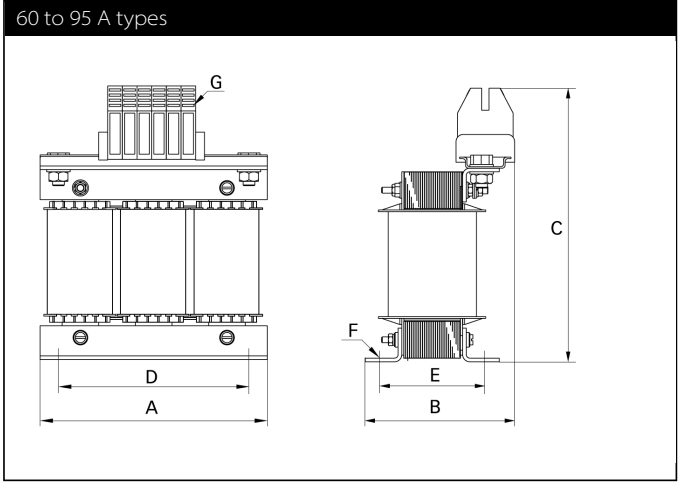
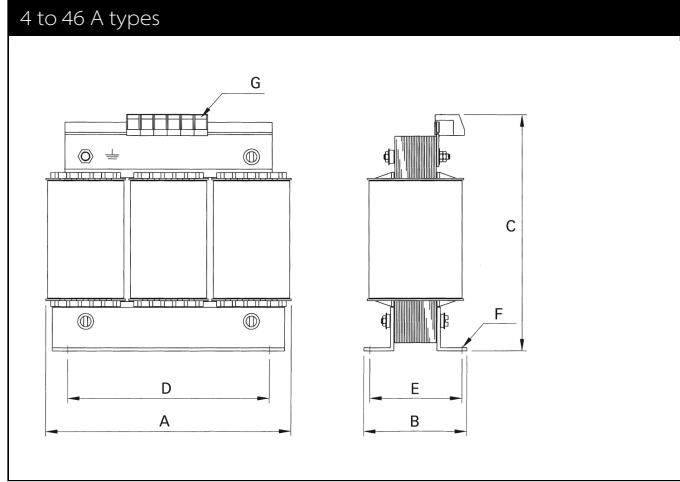
The table below shows various reactor impedance values and their calculated effect in terms of harmonics reduction.

Harmonic number/Input impedance (uk) vs. remaining harmonics [%]

| | 0.5% | 1% | 2% | 3% | 4% | 5% | 6% | 7% | 8% | 9% | 10% |
|-------|-------|------|------|-------|-------|-------|-------|-------|-------|-------|-------|
| 5th | 80 | 60 | 46 | 40 | 34 | 32 | 30 | 28 | 26 | 24 | 23 |
| 7th | 60 | 37 | 22 | 16 | 13 | 12 | 11 | 10 | 9 | 8.3 | 7.5 |
| 11th | 18 | 12 | 9 | 7.3 | 6.3 | 5.8 | 5.2 | 5 | 4.3 | 4.2 | 4 |
| 13th | 10 | 7.5 | 5.8 | 4.9 | 4.2 | 3.9 | 3.6 | 3.3 | 3.15 | 3 | 2.8 |
| 17th | 7.3 | 5.2 | 3.6 | 3 | 2.4 | 2.2 | 2.1 | 0.9 | 0.7 | 0.5 | 0.4 |
| 19th | 6 | 4.2 | 2.8 | 2.2 | 2 | 0.8 | 0.7 | 0.4 | 0.3 | 0.25 | 0.2 |
| %THID | 102.5 | 72.2 | 52.3 | 44.13 | 37.31 | 34.96 | 32.65 | 30.35 | 28.04 | 25.92 | 24.68 |

Reading example: a 4% impedance reactor typically reduces the THID to ~37% of the fundamental.

Mechanical data



Dimensions

| | A | B | C | D | E | F | G |
|----------------------|-----|----------|----------|-----|------|---------|---------------------|
| 4 A | 100 | max. 70 | max. 115 | 56 | 43 | 4.8 x 9 | 2.5 mm ² |
| 7 and 11 A | 125 | max. 80 | max. 130 | 100 | 55 | 5 x 8 | 2.5 mm ² |
| 16 A | 155 | max. 80 | max. 155 | 130 | 56.5 | 8 x 12 | 4 mm ² |
| 21 A | 155 | max. 95 | max. 155 | 130 | 70.5 | 8 x 12 | 4 mm ² |
| 29 A | 155 | max. 95 | max. 155 | 130 | 71.5 | 8 x 12 | 4 mm ² |
| 35 A | 155 | max. 105 | max. 170 | 130 | 70 | 8 x 12 | 10 mm ² |
| 46 A | 190 | max. 120 | max. 195 | 170 | 77.5 | 8 x 12 | 10 mm ² |
| 60 A | 210 | max. 155 | max. 240 | 175 | 97 | 8 x 12 | 16 mm ² |
| 75 A | 210 | max. 160 | max. 249 | 175 | 97 | 8 x 12 | 35 mm ² |
| 95 A | 230 | max. 185 | max. 275 | 180 | 122 | 8 x 12 | 35 mm ² |
| 124 and 156 A | 240 | max. 210 | max. 210 | 190 | 129 | 11 x 15 | Ø10 |
| 182 A | 265 | max. 210 | max. 230 | 215 | 114 | 11 x 15 | Ø10 |
| 230 A | 300 | 210 | 270 | 240 | 131 | 11 x 15 | Ø12 |
| 280 A | 300 | 218 | 270 | 240 | 139 | 11 x 15 | Ø12 |
| 330 A | 300 | 255 | 270 | 240 | 166 | 11 x 15 | Ø12 |
| 400 A | 420 | 205 | 390 | 370 | 133 | 11 x 15 | Ø11 |
| 500 A | 420 | 215 | 390 | 370 | 140 | 11 x 15 | Ø14 |
| 600 A | 420 | 225 | 390 | 370 | 149 | 11 x 15 | Ø14 |
| 680 A | 420 | 225 | 390 | 370 | 150 | 11 x 15 | Ø14 |
| 790 A | 420 | 240 | 390 | 370 | 162 | 11 x 15 | Ø18 |
| 910 A | 420 | 255 | 390 | 370 | 177 | 11 x 15 | 2 x Ø11 |
| 1100 A | 420 | 290 | 390 | 370 | 200 | 11 x 15 | 2 x Ø11 |
| 1310 A | 420 | 255 | 490 | 370 | 172 | 11 x 15 | 2 x Ø14 |
| 1500 A | 551 | 400 | 613 | 490 | 266 | 13 x 18 | 4 x Ø13 |

All dimensions in mm; 1 inch = 25.4 mm
Tolerances according: ISO 2768-m/EN 22768-m

Please visit www.schaffner.com to find more details on filter connectors.



Headquarters, global innovation and development

Switzerland

Schaffner Group

Nordstrasse 11
4542 Luterbach
T +41 32 681 66 26
info@schaffner.com
www.schaffner.com



Sales and application centers

China

Schaffner EMC Ltd. Shanghai

T20-3 C, No 565 Chuangye Road,
Pudong district
201201 Shanghai
T +86 21 3813 9500
cschina@schaffner.com
www.schaffner.com.cn

Finland

Schaffner Oy

Sauvonrinne 19 H
08500 Lohja
T +358 50 468 7284
finlandsales@schaffner.com

France

Schaffner EMC S.A.S.

16-20 Rue Louis Rameau
95875 Bezons
T +33 1 34 34 30 60
F +33 1 39 47 02 28
francesales@schaffner.com

Germany

Schaffner Deutschland GmbH

Schoemperlenstrasse 12B
76185 Karlsruhe
T +49 721 56910
F +49 721 569110
germanysales@schaffner.com

India

Schaffner India Pvt. Ltd

REGUS WORLD TRADE CENTRE
WTC, 22nd Floor Unit No 2238, Brigade
Gateway Campus, 26/1, Dr. Rajkumar Road
Malleswaram (W)
560055 Bangalore
T +91 80 67935355
indiasales@schaffner.com

Italy

Schaffner EMC S.r.l.

Via Ticino, 30
20900 Monza (MB)
T +39 039 21 41 070
italysales@schaffner.com

Japan

Schaffner EMC K.K.

1-32-12, Kamiyama, Setagaya-ku
7F Mitsui-seimei Sangenjaya Bldg.
154-0011 Tokyo
T +81 3 5712 3650
F +81 3 5712 3651
japansales@schaffner.com
www.schaffner.jp

Singapore

Schaffner EMC Pte Ltd.

#05-09, Kg Ubi Ind. Estate
408705 Singapore
T +65 6377 3283
F +65 6377 3281
singaporesales@schaffner.com

Spain

Schaffner EMC España

Calle Caléndula 93, Miniparc III, Edificio E
El Soto de Moraleja, Alcobendas
28109 Madrid
T +34 917 912 900
F +34 917 912 901
spainsales@schaffner.com

Sweden

Schaffner EMC AB

Tegeluddsvägen 76, 2tr
115 28 Stockholm
T +46 8 5050 2425
swedensales@schaffner.com
www.schaffner.com

Switzerland

Schaffner EMV AG

Nordstrasse 11
4542 Luterbach
T +41 32 681 66 26
switzerlandsales@schaffner.com

Taiwan R.O.C.

Schaffner EMV Ltd.

20 Floor-2, No 97, Section 1, XinTai 5th Road
22175 XiZhi District New Taipei City 22175
T +886 2 2697 5500
F +886 2 2697 5533
taiwansales@schaffner.com
www.schaffner.com.tw

Thailand

Schaffner EMC Co. Ltd.

Northern Region Industrial Estate
67 Moo 4 Tambon Ban Klang
Amphur Muangng P.O. Box 14
51000 Lamphun
T +66 53 58 11 04
F +66 53 58 10 19
thailandsales@schaffner.com

United Kingdom

Schaffner Ltd.

5 Ashville Way, Molly Millars Lane
Wokingham
RG41 2PL Berkshire
T +44 118 9770070
F +44 118 9792969
uksales@schaffner.com

USA

Schaffner EMC Inc.

52 Mayfield Avenue
08837 Edison, New Jersey
T +1 800 367 5566
T +1 732 225 9533
F +1 732 225 4789
usasales@schaffner.com
www.schaffnerusa.com

Schaffner North America

6722 Thirlane Road
24019 Roanoke, Virginia
T +1 276 228 7943
F +1 276 228 7953

Schaffner North America

823 Fairview Road
24382 Wytheville, Virginia
T +1 276 228 7943
F +1 276 228 7258

To find your local partner within Schaffner's global network: www.schaffner.com

© 2018 Schaffner Group

The content of this document has been carefully checked and understood. However, neither Schaffner nor its subsidiaries assume any liability whatsoever for any errors or inaccuracies of this document and the consequences thereof. Published specifications are subject to change without notice. Product suitability for any area of application must ultimately be determined by the customer. In all cases, products must never be operated outside their published specifications. Schaffner does not guarantee the availability of all published products. This disclaimer shall be governed by substantive Swiss law and resulting disputes shall be settled by the courts at the place of business of Schaffner Holding AG. Latest publications and a complete disclaimer can be downloaded from the Schaffner website. All trademarks recognized.