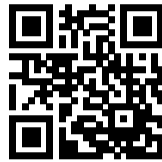


Versatile Filtered Power Entry Module



- Rated currents up to 6 A
- Single or dual-fuse holder
- Fuses $\varnothing 6.3 \times 32$ mm or $\varnothing 5 \times 20$ mm
- Voltage selector 100/120/230/240 V
- General purpose application
- Optional medical versions (B type)



Performance indicators

Attenuation performance



Rated current [A]



Technical Specifications

| | |
|--|--|
| Maximum continuous operating voltage | 250 VAC, 50/60 Hz |
| Nominal operating voltage | 230 VAC |
| Rated currents | 2 to 6 A @ 40°C |
| Operating frequency | DC to 400 Hz |
| High potential test voltage | P → PE 2000 VAC for 2 sec (standard types) P → PE 2500 VAC for 2 sec (B types) P → N 760 VAC for 2 sec |
| Temperature range (operation and storage) | -25°C to +85°C (25/85/21) |
| Protection category | IP 40 according to IEC 60529 |
| Flammability corresponding to | UL 94 V-0 |
| Design corresponding to | UL 1283, CSA 22.2 No. 8 1986, IEC/EN 60939 |
| MTBF (Mil-HB-217F) | >550,000 h @ 40°C/230 V |
| Function | Series/parallel |
| Voltage selector description | VOL-SE 4SP-4 |
| Voltage marking | |
| 1st | 100 |
| 2nd | 120 |
| 3rd | 230 |
| 4th | 240 |
| Closed internal contact corresponding to | |
| 1st (100) | a, c, e |
| 2nd (120) | b, c, e |
| 3rd (230) | a, d |
| 4th (240) | b, d |

* Other selected voltage marking on request.

Approvals & Complies



The FN 370 power entry module combines an IEC inlet, a mains filter with a single or dual-fuse holder and a voltage selector. Choosing FN 370 product line brings you the rapid availability of a standard filter associated with the necessary safety acceptances. Standard IEC connector filters are a practical solution helping you to pass EMI system approval in a short time. A wide selection on amperage ratings, fuse options, mounting possibilities and filters for medical applications are designed to offer you the desired solution.

Features and Benefits

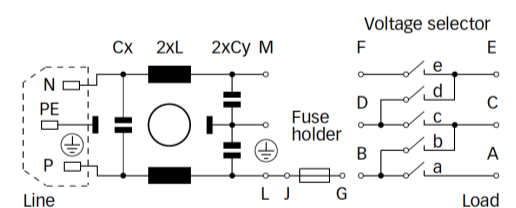
- Good conducted attenuation performance, based on chokes with high saturation resistance and excellent thermal behavior
- Rear/front or snap-in mounting
- Single or dual-fuse holder
- USA $\varnothing 6.3 \times 32$ mm or EU $\varnothing 5 \times 20$ mm fuses
- Two attenuation performance ranges
- Voltage selector 100/120/230/240 V
- Custom-specific versions are available on request

Typical Applications

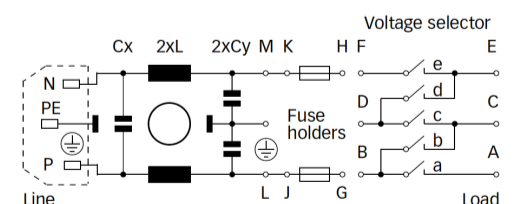
- Portable electrical and electronic equipment
- Consumer goods
- EDP and office equipment
- Single-phase power supplies, switch-mode power supplies
- Test and measurement equipment
- Medical equipment

Typical electrical schematic

FN 370 / FN 376



FN 372 / FN 378 / FN 379



Filter Selection Table

| Filter* | Rated current @ 40°C (25°C) [A] | Leakage current** @ 230 VAC/50 Hz [μA] | Inductance L [mH] | Capacitance | | Resistance R [kΩ] | Output connections | Fuses*** [Qty] | Weight [g] |
|-----------------------|---------------------------------------|--|-------------------------|-------------|------------|-------------------------|-----------------------|-------------------|---------------|
| | | | | Cx [nF] | Cy [nF] | | | | |
| FN 370-2-2 z | 2 (2.4) | 373 | 0.70 | 47 | 2.2 | | 13 | 1 | 55 |
| FN 370-4-2 z | 4 (4.8) | 373 | 0.30 | 47 | 2.2 | | 13 | 1 | 55 |
| FN 370-6-2 z | 6 (7.2) | 373 | 0.18 | 47 | 2.2 | | 13 | 1 | 55 |
| FN 372-2-2 z | 2 (2.4) | 373 | 0.70 | 47 | 2.2 | | 13 | 2 | 55 |
| FN 372-4-2 z | 4 (4.8) | 373 | 0.30 | 47 | 2.2 | | 13 | 2 | 55 |
| FN 372-6-2 z | 6 (7.2) | 373 | 0.18 | 47 | 2.2 | | 13 | 2 | 55 |
| FN 378-2-2 z | 2 (2.4) | 373 | 0.70 | 47 | 2.2 | | 13 | 2 | 60 |
| FN 378-4-2 z | 4 (4.8) | 373 | 0.30 | 47 | 2.2 | | 13 | 2 | 60 |
| FN 378-6-2 z | 6 (7.2) | 373 | 0.18 | 47 | 2.2 | | 13 | 2 | 60 |
| FN 379-2-2 z | 2 (2.4) | 373 | 2.00 | 47 | 2.2 | | 13 | 2 | 70 |
| FN 379-4-2 z | 4 (4.8) | 373 | 0.80 | 47 | 2.2 | | 13 | 2 | 70 |
| FN 379-6-2 z | 6 (7.2) | 373 | 0.50 | 47 | 2.2 | | 13 | 2 | 70 |
| FN 379 B-2-2 z | 2 (2.4) | 2 | 2.00 | 47 | | 1000 | 13 | 2 | 70 |
| FN 379 B-4-2 z | 4 (4.8) | 2 | 0.80 | 47 | | 1000 | 13 | 2 | 70 |
| FN 379 B-6-2 z | 6 (7.2) | 2 | 0.50 | 47 | | 1000 | 13 | 2 | 70 |

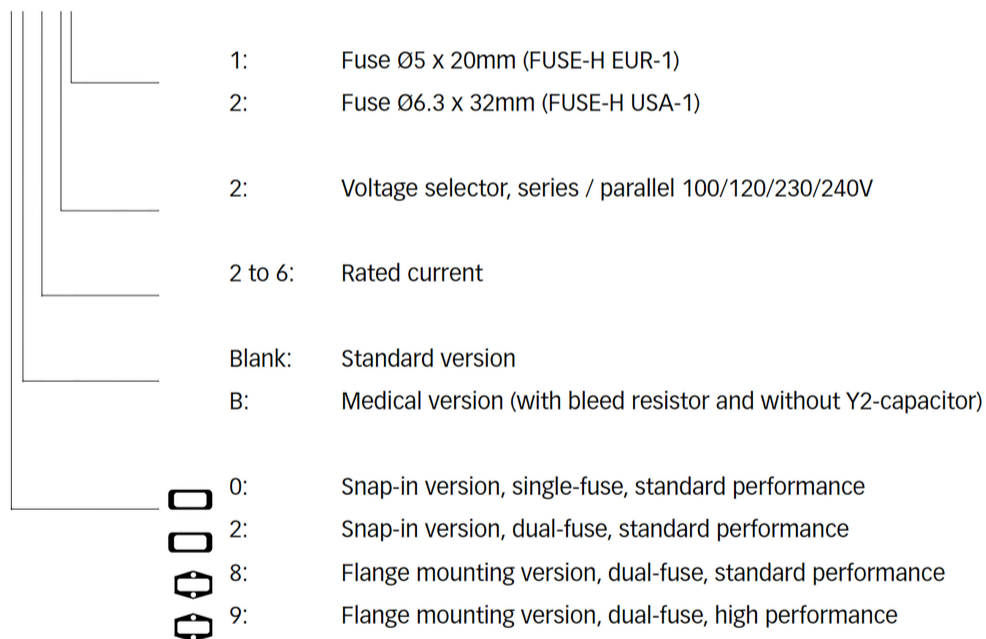
* Select the requested fuse holder for fuse EUR-1 or USA-1 (z).

** Maximum leakage under normal operating conditions. Note: if the neutral line is interrupted, worst case leakage could reach twice this level.

*** Filters are delivered without fuse.

Product selector

FN 37xx-y-zz



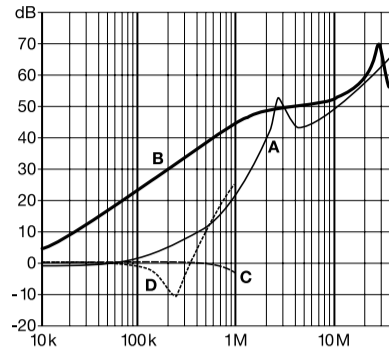
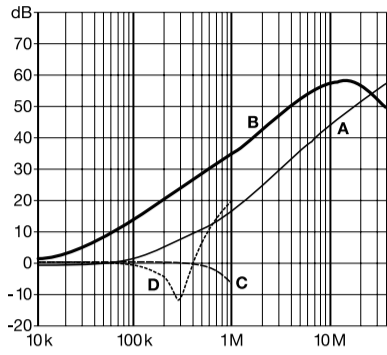
For example: FN 370-6-21, FN 378-4-22, FN 379 B-2-22

Typical Filter Attenuation

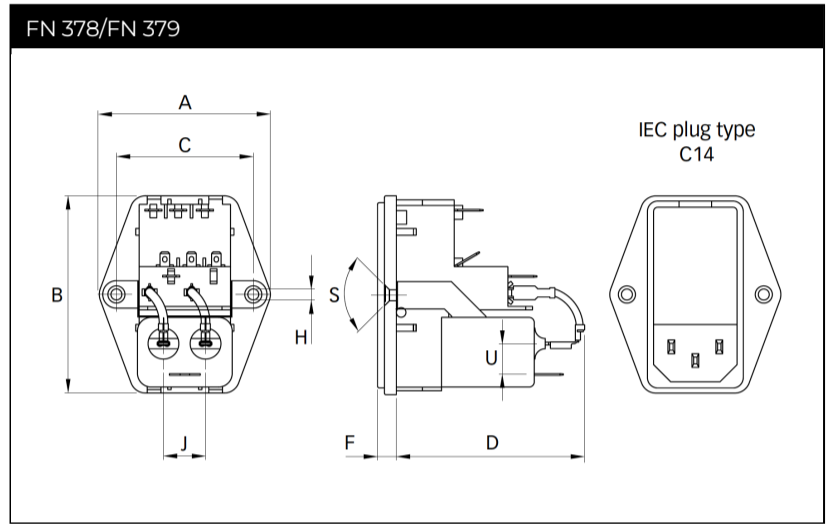
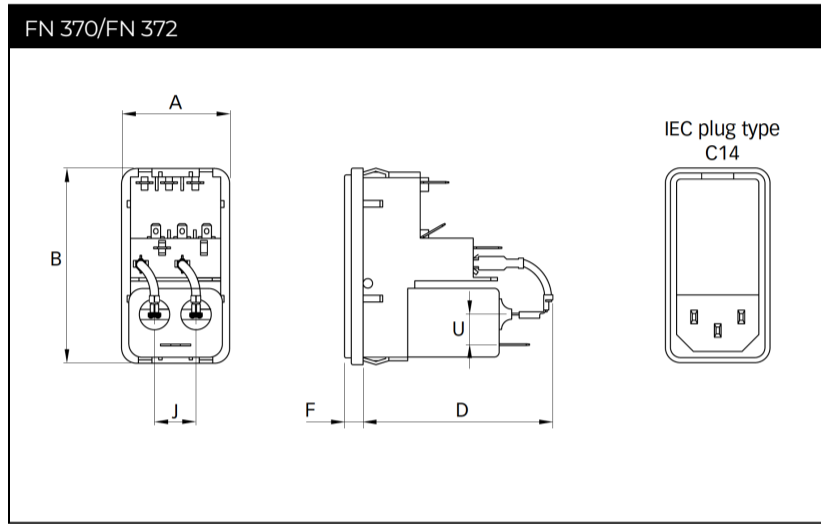
Per CISPR 17; A=50 Ω/50 Ω sym; B=50 Ω/50 Ω asym; C=0.1 Ω/100 Ω sym; D=100 Ω/0.1 Ω sym

FN 370/FN 372/FN 378

FN 379

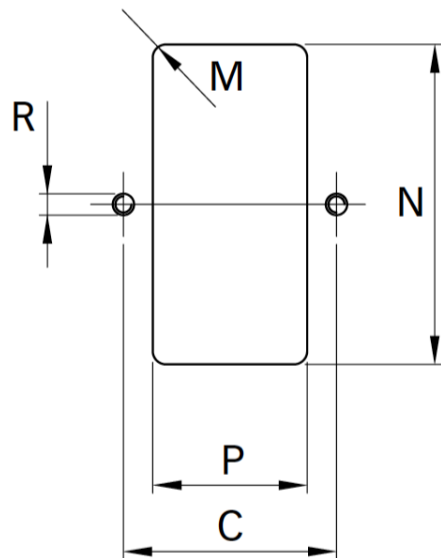
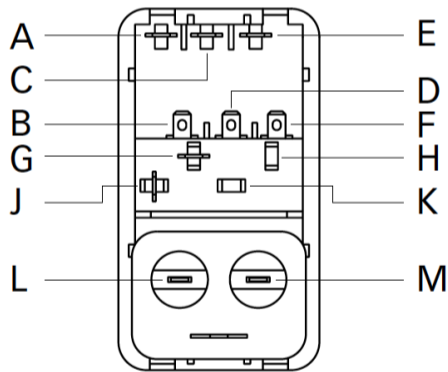


Mechanical Data



Connection designation

Panel cut out



Dimensions

| | FN 370 | FN 372 | FN 378 | FN 379 | Tolerances |
|----------|--------------|--------------|--------------|--------------|------------|
| A | 32 | 32 | 50 | 50 | ±0.3 |
| B | 58 | 58 | 58 | 58 | ±0.3 |
| C | | | 40 | 40 | ±0.1 |
| D | 54 | 54 | 54 | 64.5 | |
| F | 5.5 | 5.5 | 5.5 | 5.5 | |
| H | | | Ø3.3 | Ø3.3 | |
| J | 12.5 | 12.5 | 12.5 | 12.5 | |
| M | R ≤2 | R ≤2 | R ≤2 | R ≤2 | ±0.1 |
| N | 55.9*/56.2** | 55.9*/56.2** | 55.9*/56.2** | 55.9*/56.2** | +0.2/-0 |
| P | 28.5 | 28.5 | 28.5 | 28.5 | +0.2/-0 |
| R | | | M3 | M3 | |
| S | | | 90° | 90° | |
| U | 9 | 9 | 9 | 9 | |

* For a panel thickness between 0.8 and 3 mm

** For a back panel thickness between 2.1 and 3.2 mm

All dimensions in mm; 1 inch = 25.4 mm

Tolerances according: ISO 2768-m/EN 22768-m

Please visit www.schaffner.com to find more details on filter connectors.

Headquarters, Global Innovation and Development

Switzerland

Schaffner Group

Industrie Nord
Nordstrasse 5
4542
Luterbach
+41 32 681 66 26
info@schaffner.com

Sales and Application Centers

Finland

Schaffner Oy

Lohjanharjuntie 1109
08500
Lohja
+ 358 50 468 72 84
finlandsales@schaffner.com

France

Schaffner EMC S.A.S.

16-20 Rue Louis Rameau
95875
Bezons
+33 1 34 34 30 60
francesales@schaffner.com

Germany

Schaffner Deutschland GmbH

Ohiostr. 8
76149
Karlsruhe
+49 721 56910
germanysales@schaffner.com

Italy

Schaffner EMC S.r.l.

Via Ticino, 30
20900
Monza (MB)
+39 335 120 44 32
italysales@schaffner.com

Japan

Schaffner EMC K.K.

ISM Sangenjaya 7F
1-32-12 Kamiyama Setagaya-ku
154-0011
Tokyo
+81 3 5712 3650
japansales@schaffner.com

Singapore

Schaffner EMC Pte Ltd.

Blk 3015A Ubi Road 1 #05-09 Kampong Ubi
Industrial Estate
408705
Singapore
+65 63773283
singaporesales@schaffner.com

Sweden

Schaffner EMC AB

Östermalmstrorg 1
114 42
Stockholm
+46 8 5050 2425
swedensales@schaffner.com

Switzerland

Schaffner EMV AG

Industrie Nord
Nordstrasse 5
4542
Luterbach
+41 32 681 66 26
switzerlandsales@schaffner.com

India

Schaffner India Pvt. Ltd

Regus World Trade Centre
WTC 22nd Floor Unit No 2238 Brigade
Gateway Campus 26/1 Dr. Rajkumar Road
Malleshwaram (W)
560055
Bangalore
+91 8067935355
indiasales@schaffner.com

United Kingdom

Schaffner Ltd.

Suite 1 Oakmede Place
Terrace Road
RG42 4JF
Binfield
+44 118 9770070
schaffner.uksales@te.com

United States

Schaffner EMC Inc.

52 Mayfield Avenue
Edison, New Jersey
+1 732 225 9533
usasales@schaffner.com

To find your local partner within Schaffner's global network schaffner.com

© 2025 Schaffner Group

The content of this document has been carefully checked and understood. However, neither Schaffner nor its subsidiaries assume any liability whatsoever for any errors or inaccuracies of this document and the consequences thereof. Published specifications are subject to change without notice. Product suitability for any area of application must ultimately be determined by the customer. In all cases, products must never be operated outside their published specifications. Schaffner does not guarantee the availability of all published products. This disclaimer shall be governed by substantive Swiss law and resulting disputes shall be settled by the courts at the place of business of Schaffner Holding AG. Latest publications and a complete disclaimer can be downloaded from the Schaffner website. All trademarks recognized.