



- Common mode EMI mitigation
- Nanocrystalline core material
- Efficient installation
- Stackable
- Flat or vertical mounting



Performance indicators



Technical Specifications

Rated inductance	64 - 111 μH
Operating frequency	DC to 400 Hz
Design corresponding to	IEC 60938-3
Operation temperature	-40°C to +100°C
Climatic class	40/100/21 (acc. IEC 60068-1)
Cooling	AN

Approvals & Compliances

**RoHS**

The RR1000 common mode choke series is well suited for non-intrusive EMI mitigation. No further connections are needed for an efficient installation. The chokes are typically applied over cable bundles and need no further electrical connection.

The nanocrystalline ring core technology provides significant attenuation from 150 kHz to 30 MHz.

If cables are looped twice through the core, inductance quadruples. For three turns, inductance increases by factor 9.

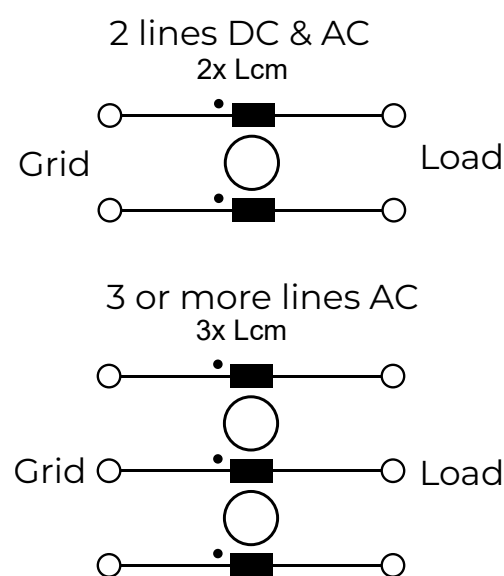
Features and Benefits

- High performance nanocrystalline core material
- EMI mitigation without leakage currents
- Reduction of bearing currents in motors
- Easy installation with no electrical connections
- Chokes can be stacked for higher performance
- EMI mitigation without leakage current

Typical Applications

- Motor protection
- Common mode EMI mitigation for large cable diameters
- 2 line AC or DC
- 3 or four lines AC

Typical electrical schematic



### RR1000 Series

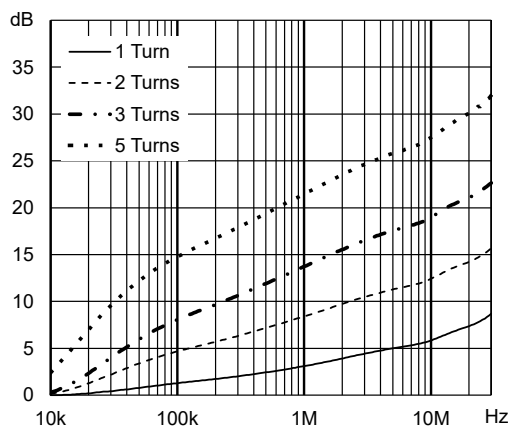
Selection table	*Typ. Inductance @ 10kHz	*Typ. Inductance @ 100kHz	Magn. Path	Magn. Area	Outer Diameter	Inner Diameter	Core Height	Weight
	LS @ 25°C	LS @ 25°C	Lfe	Afe	OD	ID	W	
	[μH]	[μH]	mm	mm <sup>2</sup>	[mm]	[mm]	[mm]	[kg]
<b>RR1000-10</b>	64	19	178	127	68	45	30	0.22
<b>RR1000-20</b>	125	39	204	292	85	45	30	0.55
<b>RR1000-30</b>	79	25	280	254	108	69.5	31	0.68
<b>RR1000-40</b>	111	35	322	410	126.5	78.5	36	1.2
<b>RR1000-50</b>	90	27	361	351	137	93	36	1.18
<b>RR1000-60</b>	56	17	456	293	167	123	31	1.2

\*Inductance given for one turn.

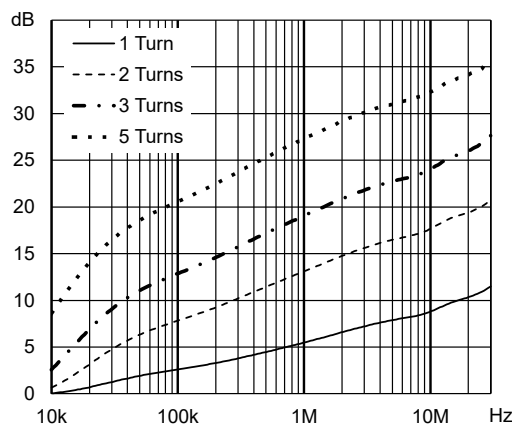
Tolerance: 10 kHz +/-30%, 100 kHz +/-45% @100 mV

### Typical Attenuation

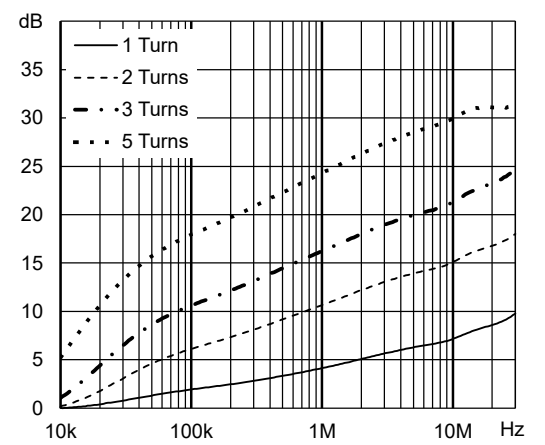
Per CISPR 17; CM=50 Ω/50 Ω sym; DM=50 Ω/50 Ω asym



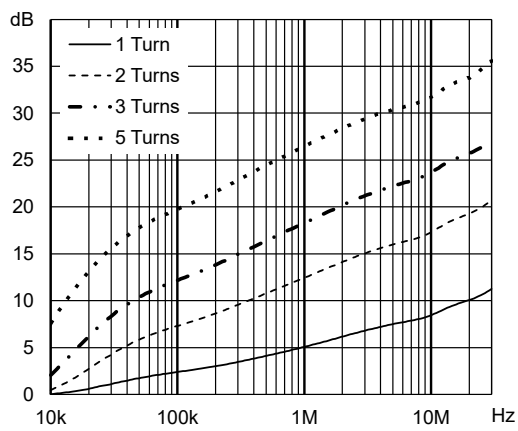
RR1000-10



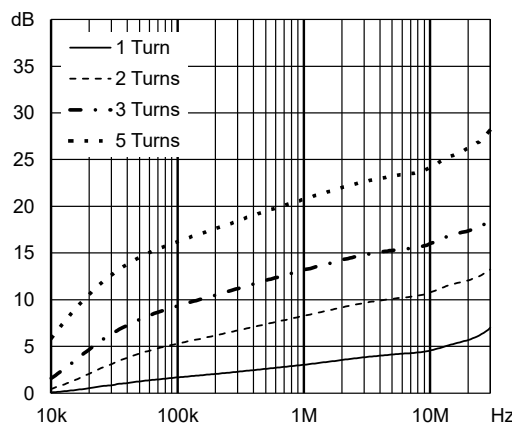
RR1000-20



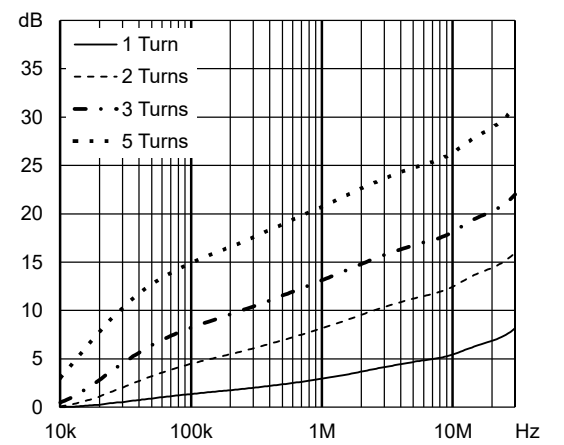
RR1000-30



RR1000-40

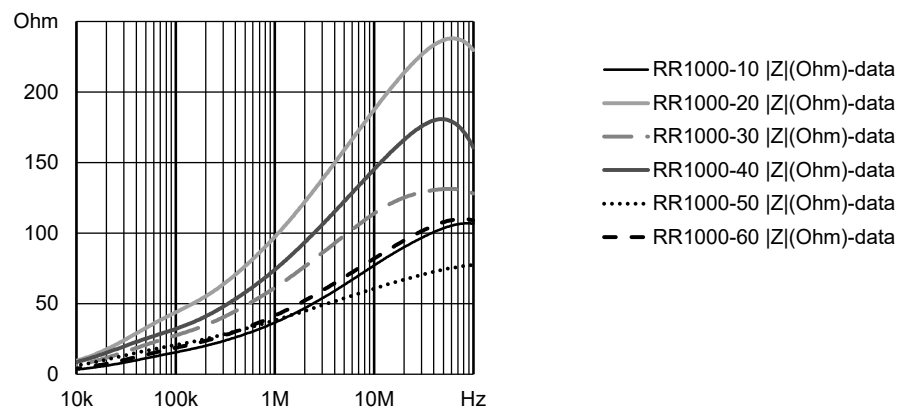


RR1000-50



RR1000-60

### Typical Impedance

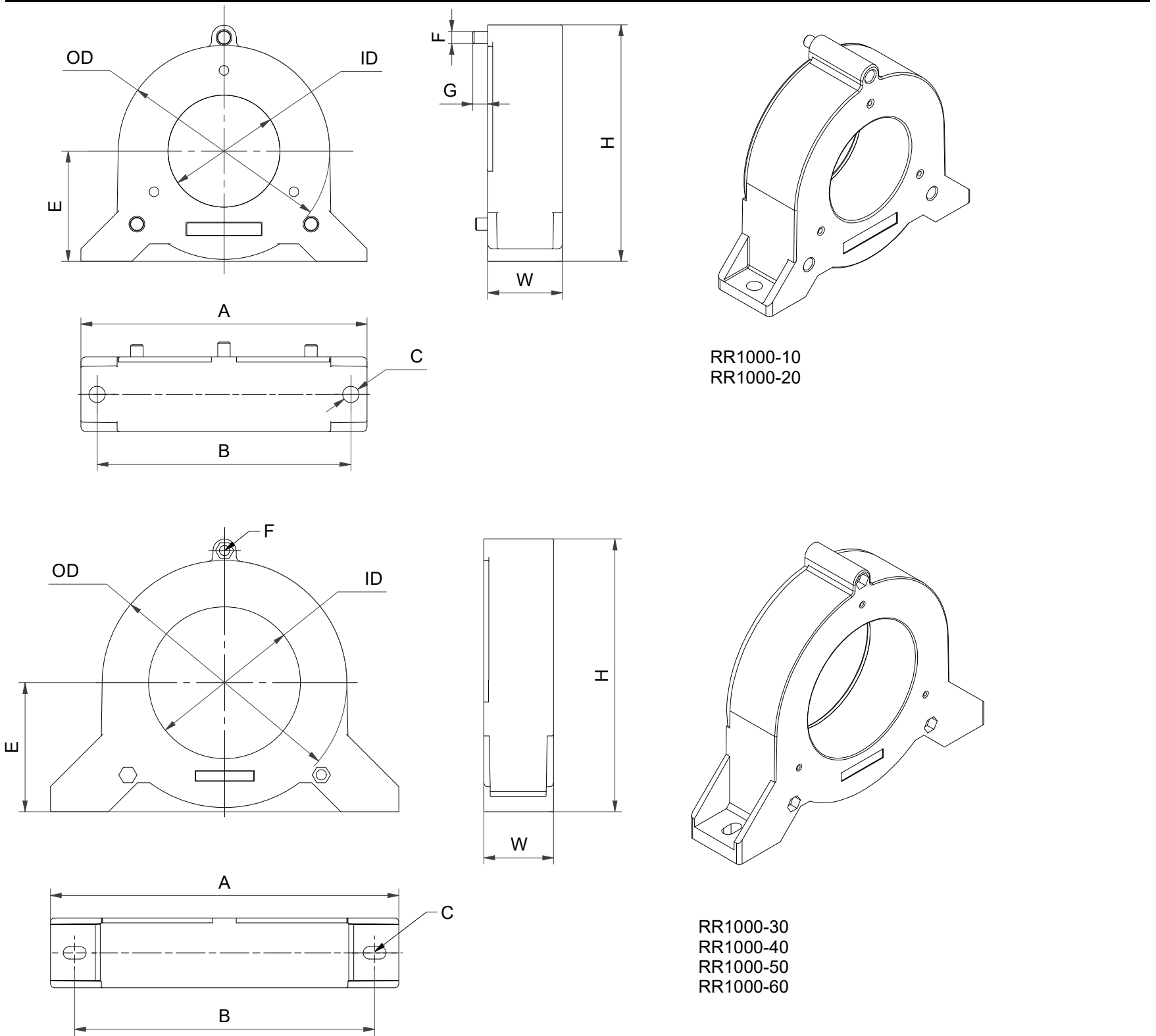


One turn

### Dimensions

All dimensions in mm; 1 inch = 25.4 mm

Tolerances according: ISO 2768-m/EN 22768-m



Dimension table	OD [mm]	ID [mm]	W [mm]	H [mm]	A [mm]	B [mm]	C [mm]	E [mm]	F [mm]	G [mm]
RR1000-10	68	45	30	78	98	85	6.5	36	5	6
RR1000-20	85	45	30	95	115	102	6.5	44	5	6
RR1000-30	108	69.5	31	122	170	150	6.5x12	57		
RR1000-40	126.5	78.5	36	141	180	155	6.5x12	66		
RR1000-50	137	93	36	152	200	175	6.5x12	73		
RR1000-60	167	123	31	182	240	210	6.5x12	88		

Hole for hex cap screw M5

## Headquarters, Global Innovation and Development

### Switzerland

#### Schaffner Group

Industrie Nord  
Nordstrasse 11e  
4542  
Luterbach  
+41 32 681 66 26  
[info@schaffner.com](mailto:info@schaffner.com)

## Sales and Application Centers

### Finland

#### Schaffner Oy

Sauvonrinne 19 H  
8500  
Lohja  
+358 50 468 7284  
[finlandsales@schaffner.com](mailto:finlandsales@schaffner.com)

### France

#### Schaffner EMC S.A.S.

16-20 Rue Louis Rameau  
95875  
Bezons  
+33 1 34 34 30 60  
[francesales@schaffner.com](mailto:francesales@schaffner.com)

### Germany

#### Schaffner Deutschland GmbH

Schoemperlenstrasse 12B  
76185  
Karlsruhe  
+49 721 56910  
[germanysales@schaffner.com](mailto:germanysales@schaffner.com)

### India

#### Schaffner India Pvt. Ltd

Regus World Trade Centre  
WTC 22nd Floor Unit No 2238 Brigade  
Gateway Campus 26/1 Dr. Rajkumar Road  
Malleshwaram (W)  
560055  
Bangalore  
+91 8067935355  
[indiasales@schaffner.com](mailto:indiasales@schaffner.com)

### United Kingdom

#### Schaffner Ltd.

Suite 1 Oakmede Place  
Terrace Road  
RG42 4JF  
Binfield  
+44 118 9770070  
[uksales@schaffner.com](mailto:uksales@schaffner.com)

### United States

#### Schaffner EMC Inc.

52 Mayfield Avenue  
Edison, New Jersey  
+1 732 225 9533  
[usasales@schaffner.com](mailto:usasales@schaffner.com)

### Sweden

#### Schaffner EMC AB

Östermalmstrorg 1  
114 42  
Stockholm  
+46 8 5050 2425  
[swedensales@schaffner.com](mailto:swedensales@schaffner.com)

### Switzerland

#### Schaffner EMV AG

Industrie Nord  
Nordstrasse 11e  
4542  
Luterbach  
+41 32 681 66 26  
[switzerlandsales@schaffner.com](mailto:switzerlandsales@schaffner.com)

### Taiwan

#### Schaffner EMV Ltd.

U-Town  
20 Floor-2 No 97 Section 1 XinTai 5th Road  
XiZhi District  
22175  
New Taipei City  
+886 226975500  
[taiwansales@schaffner.com](mailto:taiwansales@schaffner.com)

### Italy

#### Schaffner EMC S.r.l.

Via Ticino, 30  
20900  
Monza (MB)  
+39 039 21 41 070  
[italysales@schaffner.com](mailto:italysales@schaffner.com)

### Japan

#### Schaffner EMC K.K.

ISM Sangenjaya  
7F 1-32-12 Kamiyama Setagaya-ku  
154-0011  
Tokyo  
+81 3 5712 3650  
[japansales@schaffner.com](mailto:japansales@schaffner.com)

### Singapore

#### Schaffner EMC Pte Ltd.

Blk 3015A Ubi Road 1 #05-09 Kampong Ubi  
Industrial Estate  
408705  
Singapore  
+65 63773283  
[singaporesales@schaffner.com](mailto:singaporesales@schaffner.com)

To find your local partner within Schaffner's global network [schaffner.com](http://schaffner.com)

© 2023 Schaffner Group

The content of this document has been carefully checked and understood. However, neither Schaffner nor its subsidiaries assume any liability whatsoever for any errors or inaccuracies of this document and the consequences thereof. Published specifications are subject to change without notice. Product suitability for any area of application must ultimately be determined by the customer. In all cases, products must never be operated outside their published specifications. Schaffner does not guarantee the availability of all published products. This disclaimer shall be governed by substantive Swiss law and resulting disputes shall be settled by the courts at the place of business of Schaffner Holding AG. Latest publications and a complete disclaimer can be downloaded from the Schaffner website. All trademarks recognized.