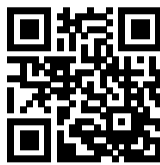


High performance dual-stage IEC C14 and C20 inlet filter

250 VAC	50/60 Hz
230 VAC	
2 to 20 A @ 40°C	
DC to 400 Hz	
PE 2000AC for 2 sec (standard types)	
PE 2500AC for 2 sec (B types)	
PE > N 760 AC for 2 sec	
Helps compliance to IEC61000-4-5 (Differential Mode only)	
-25°C to +85°C (25/85/21)	
IP 40 according to IEC 60529	
UL 94 V-0	
ENEC and QC: IEC C14let - 2 to 10 A	
ENEC and QC: IEC C20let - 16 A	
UL: IEC C14let - 2 to 15A	
UL: IEC C20let - 16 to 20A	
UL: IEC C14let - 2 to 15A	
UL: IEC C20let - 16 to 20A	
UL: IEC C14let - 2 to 15A	
UL: IEC C20let - 16 to 20A	
UL 60939-3, CSA 81C22.2 No 8, IEC/EN 60939-3, GB/T 15287, GB/T 15288	
>1,000,000 h @ 40°C/230 V	



High performance dual-stage IEC C14 and C20 inlet filter



High performance dual-stage IEC C14 and C20 inlet filter

Features and Benefits

250 VAC	50/60 Hz
230 VAC	
2 to 20 A @ 40°C	
DC to 400 Hz	
PE 2000AC for 2 sec (standard types)	
PE 2500AC for 2 sec (B types)	
PE > N 760 AC for 2 sec	
Helps compliance to IEC61000-4-5 (Differential Mode only)	
-25°C to +85°C (25/85/21)	
IP 40 according to IEC 60529	
UL 94 V-0	
ENEC and QC: IEC C14let - 2 to 10 A	
ENEC and QC: IEC C20let - 16 A	
UL: IEC C14let - 2 to 15A	
UL: IEC C20let - 16 to 20A	
UL: IEC C14let - 2 to 15A	
UL: IEC C20let - 16 to 20A	
UL: IEC C14let - 2 to 15A	
UL: IEC C20let - 16 to 20A	
UL 60939-3, CSA 81C22.2 No 8, IEC/EN 60939-3, GB/T 15287, GB/T 15288	
>1,000,000 h @ 40°C/230 V	

Typical Applications

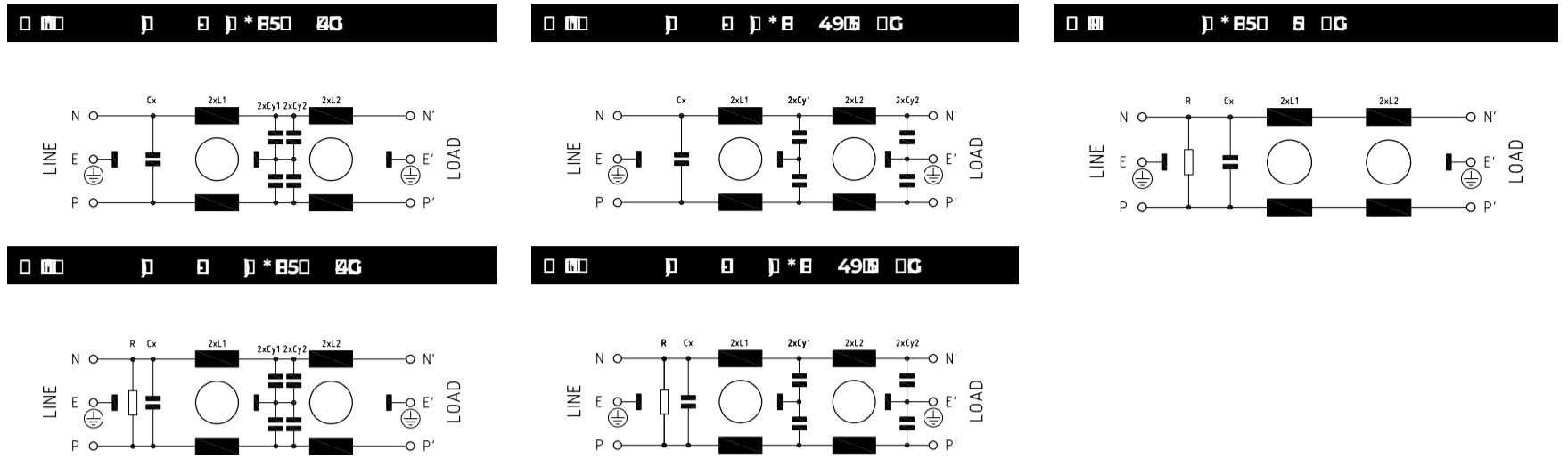
250 VAC	50/60 Hz
230 VAC	
2 to 20 A @ 40°C	
DC to 400 Hz	
PE 2000AC for 2 sec (standard types)	
PE 2500AC for 2 sec (B types)	
PE > N 760 AC for 2 sec	
Helps compliance to IEC61000-4-5 (Differential Mode only)	
-25°C to +85°C (25/85/21)	
IP 40 according to IEC 60529	
UL 94 V-0	
ENEC and QC: IEC C14let - 2 to 10 A	
ENEC and QC: IEC C20let - 16 A	
UL: IEC C14let - 2 to 15A	
UL: IEC C20let - 16 to 20A	
UL: IEC C14let - 2 to 15A	
UL: IEC C20let - 16 to 20A	
UL: IEC C14let - 2 to 15A	
UL: IEC C20let - 16 to 20A	
UL 60939-3, CSA 81C22.2 No 8, IEC/EN 60939-3, GB/T 15287, GB/T 15288	
>1,000,000 h @ 40°C/230 V	

Technical Specifications

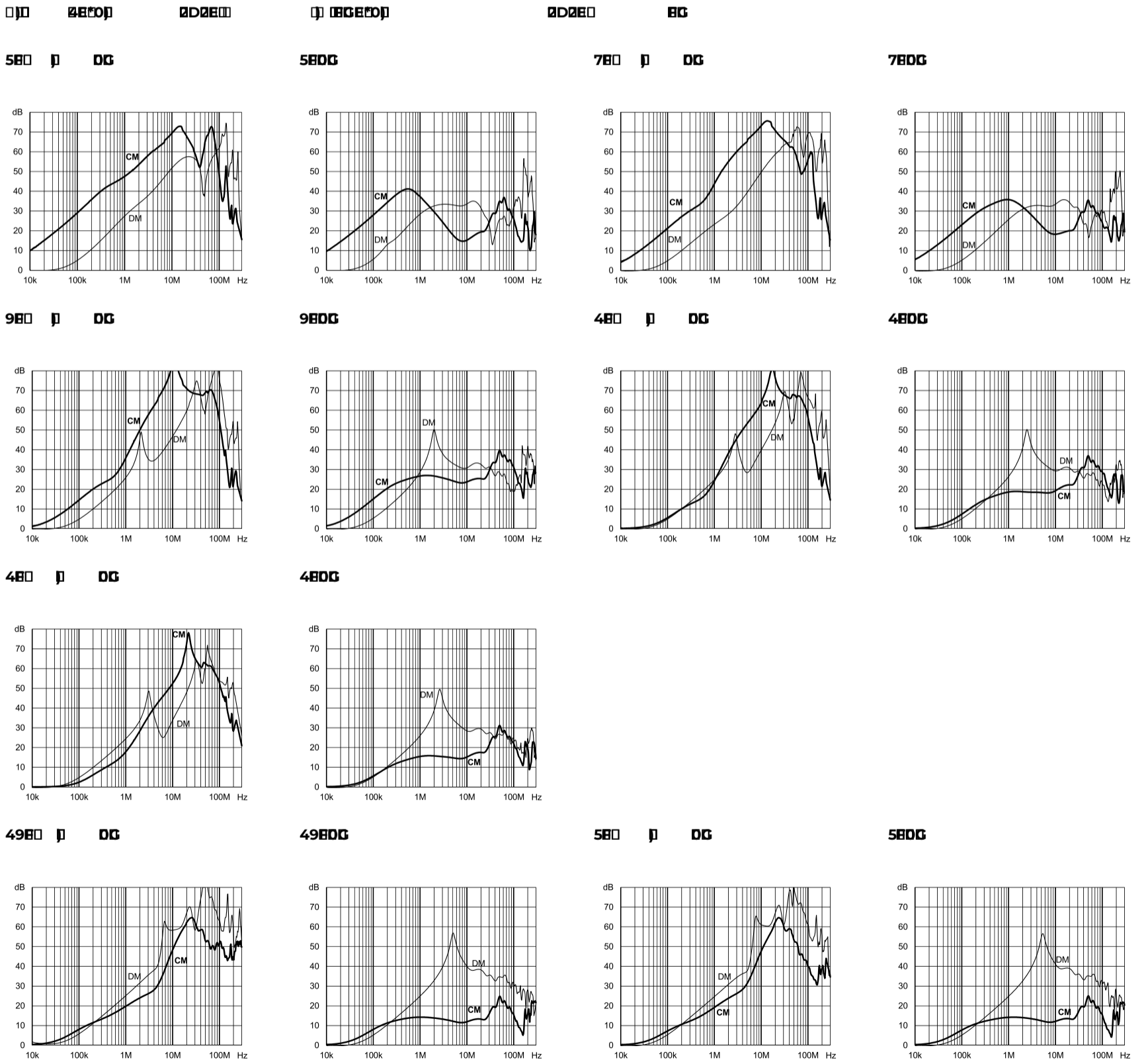
Maximum continuous operating voltage	250 VAC, 50/60 Hz
Nominal operating voltage	230 VAC
Rated currents	2 to 20 A @ 40°C
Operating frequency	DC to 400 Hz
High potential test voltage	PE > PE 2000AC for 2 sec (standard types) PE > PE 2500AC for 2 sec (B types) PE > N 760 AC for 2 sec
Surge pulse protection type	Helps compliance to IEC61000-4-5 (Differential Mode only)
Temperature range (operation and storage)	-25°C to +85°C (25/85/21)
Protection category	IP 40 according to IEC 60529
Flammability corresponding to	UL 94 V-0
Approvals by rated current	ENEC and QC: IEC C14let - 2 to 10 A ENEC and QC: IEC C20let - 16 A UL: IEC C14let - 2 to 15A UL: IEC C20let - 16 to 20A UL: IEC C14let - 2 to 15A UL: IEC C20let - 16 to 20A UL: IEC C14let - 2 to 15A UL: IEC C20let - 16 to 20A
Design corresponding to	UL 60939-3, CSA 81C22.2 No 8, IEC/EN 60939-3, GB/T 15287, GB/T 15288
MTBF (Mil-HB-217F)	>1,000,000 h @ 40°C/230 V

High performance dual-stage IEC C14 and C20 inlet filter

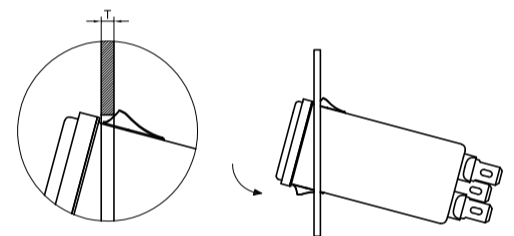
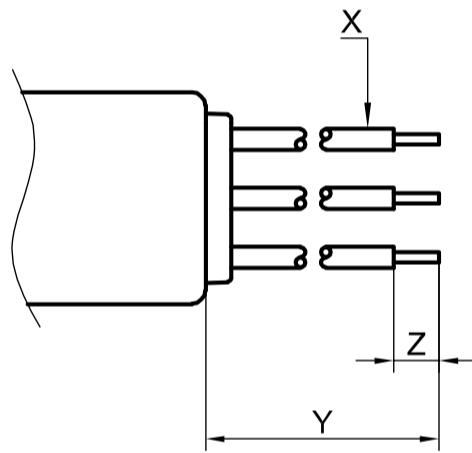
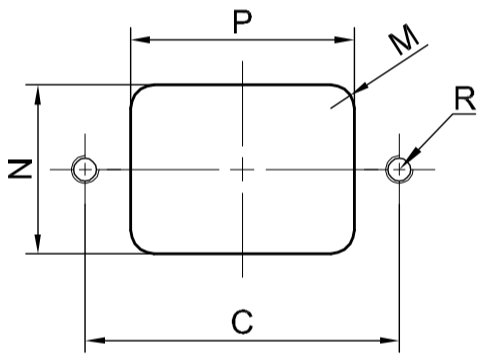
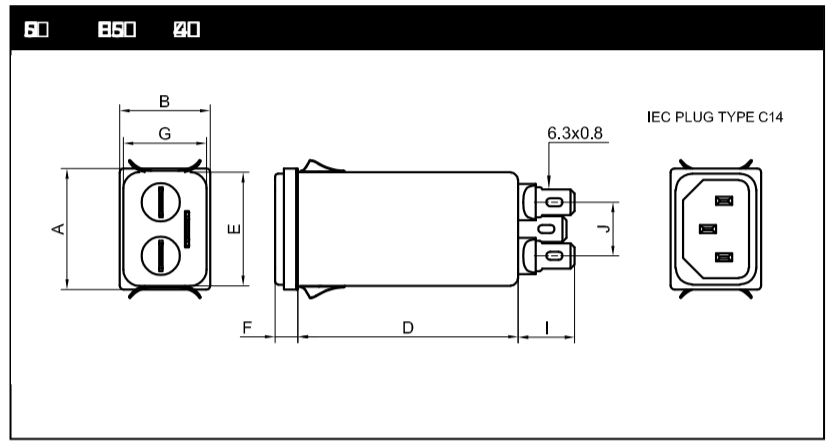
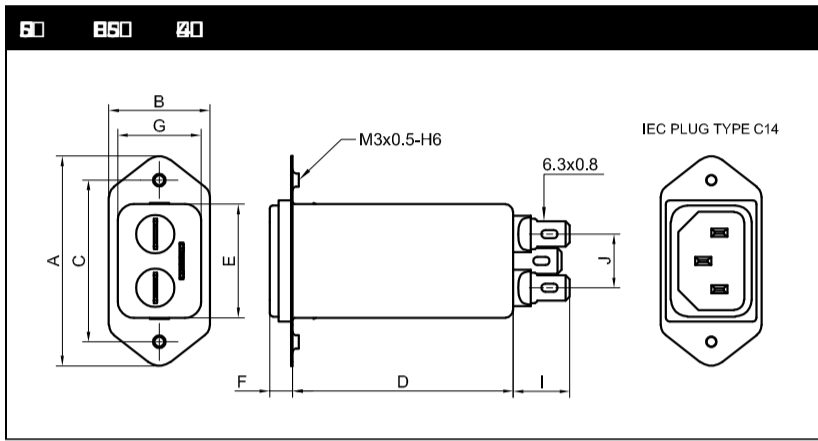
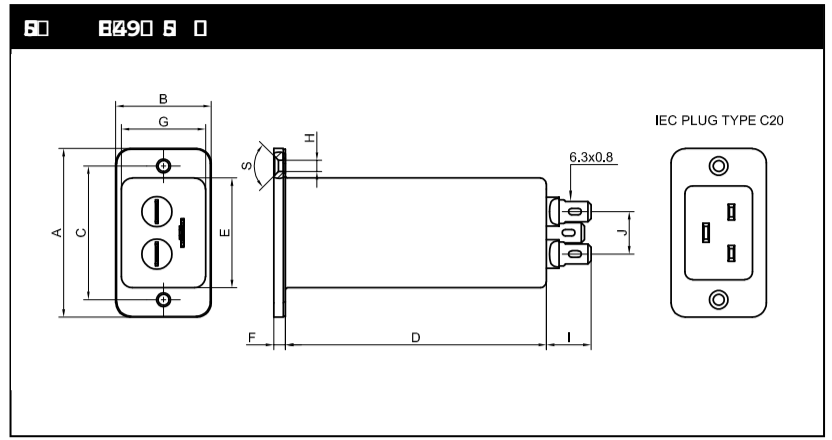
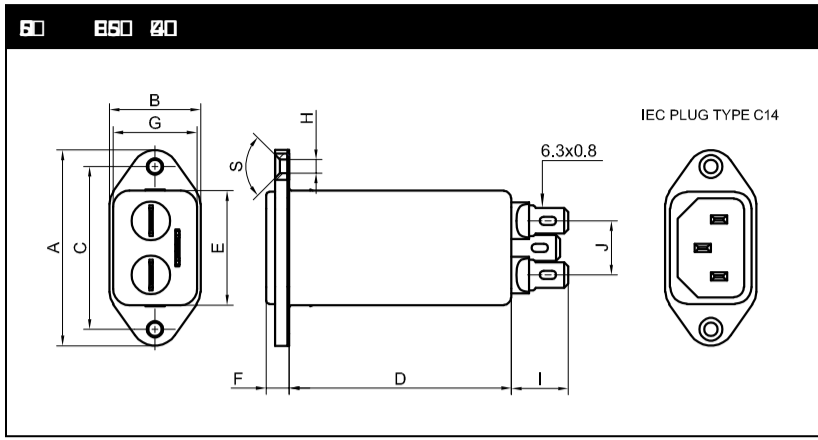
Detailed Electrical Schematic



Typical Filter Attenuation



Mechanical Data



Dimensions

		FN 9255	FN 9255 M	FN 9255 S
	2 to 15A	16 to 20A		
A	48	53	51.85	29.9
B	22.4	30	25	22.4
C	40±0.2	42±0.2	40±0.2	-
D	-06: 54.5, -07: 52.5	82	-06: 54.5, -07: 52.5	-06: 54.5, -07: 52.5
E	28.1±0.3	34.6±0.3	28.1±0.3	28.1±0.3
F	5.8±0.2	3.9±0.2	5.8±0.2	5.8±0.2
G	20.6±0.3	26.7±0.3	20.6±0.3	20.6±0.3
H	~3.3	~3.5	M3	M3
I	14±0.5	14±0.5	14±0.5	14±0.5
J	13.3	13.3	13.3	13.3
M	R ÿ 3	R ÿ 3	R ÿ 1	R ÿ 1
N	21.5 +0.5/-0	27.1 +0.2/-0	22.9 +0.2/-0	21.0 +0.1/-0
P	28.5 +0.5/-0	34.9 +0.2/-0	30.4 +0.2/-0	29.5 +0.1/-0
R	M3	M3	~3.4	~3.4
S	90j	90j		
T				1.5 - 2.2
Ø	AWG 18 (>6A: AWG 16)	AWG 14	AWG 18 (>6A: AWG 16)	AWG 18 (>6A: AWG 16)
Ø	100±5	100±5	100±5	100±5
Ø	6	6	6	6

880 0 p (0) 1880 L00 p *0 000 0
 000000 NS0 70
 000 0 0 0 0 0 09ED85 09ED00
 0 00* 0... 000 0 000 00 0 000 0 00 *0

Headquarters, Global Innovation and Development

Switzerland

Schaffner Group

Postfach

705

705

M748594995 9

Postfach

Sales and Application Centers

Finland

Schaffner Oy

Postfach

Postfach

M87987

Postfach

France

Schaffner EMC S.A.S.

4950

Postfach

Postfach

M664878789

Postfach

Germany

Schaffner Deutschland GmbH

Postfach

Postfach

Postfach

M78492

Postfach

Italy

Schaffner EMC S.r.l.

Postfach

Postfach

Postfach

M68 625 776 5

Postfach

Japan

Schaffner EMC Inc.

Postfach

465645000

Postfach

Postfach

M28 4589

Postfach

Singapore

Schaffner EMC Pte Ltd.

Postfach

Postfach

Postfach

M986 658

Postfach

Sweden

Schaffner EMC AB

Postfach

Postfach

Postfach

M798 750

Postfach

Switzerland

Schaffner EM V A G

Postfach

Postfach

Postfach

M748594995 9

Postfach

India

Schaffner India Pvt. Ltd.

Postfach

Postfach

Postfach

Postfach

Postfach

Postfach

M28 666

Postfach

United Kingdom

Schaffner Ltd.

Postfach

Postfach

Postfach

M7744

Postfach

United States

Schaffner EMC Inc.

Postfach

Postfach

M66585 66

Postfach

Postfach

Postfach

Postfach

Postfach

Postfach

Postfach

Postfach

Postfach

Postfach

Postfach

Postfach

Postfach

Postfach

Postfach

Postfach

Postfach

Postfach

Postfach

Postfach

Postfach

Postfach

Postfach

Postfach

Postfach

Postfach

Postfach

Postfach

Postfach

Postfach

Postfach

Postfach