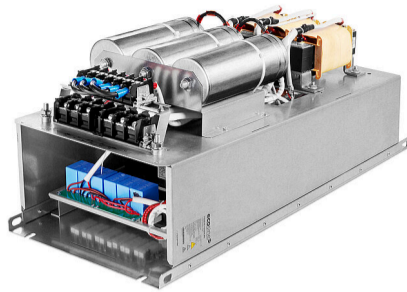
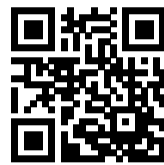


Ecosine Evo, 480 VAC 60 Hz Full Performance Passive Harmonic Filters



- The industry standard for 6-pulse rectifier and motor drives
- Filters for diode rectifier with or without DC-link choke and thyristor rectifier
- Best-in-class partial load performance
- Most compact design
- Plug and play, ready to use



Approvals & Compliances



(depending on filter configuration)

Features and Benefits

Schaffner ecosine harmonic filters represent an economical solution to the challenge of load-applied harmonics mitigation in three-phase power systems. With a plug-and-play approach and more compact dimensions than comparable products, they can be quickly installed and easily commissioned. They increase the reliability and service life of electric installations, help utilize electric system capacity better, and are the key to meet Power Quality standards such as IEEE 519. Ecosine filters reshape your distorted current back to the desired sinusoidal waveform. Schaffner ecosine filters can be applied to virtually any kind of power electronics with front-end six-pulse rectifiers, 3-phase diode or thyristor bridges, where harmonic current distortion needs to be reduced to defined limits.

Typical Applications

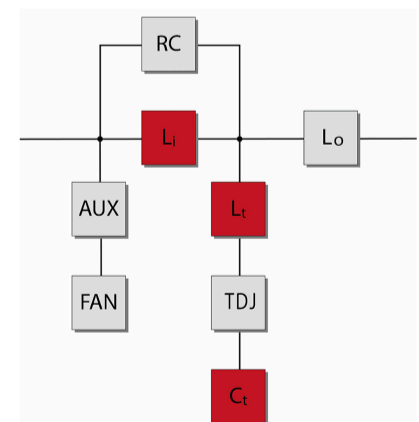
- Equipment with front-end six-pulse rectifier
- Motor drives
- Factory automation equipment
- Water/wastewater treatment facilities
- Fan and pump applications
- HVAC installations
- Mission-critical processes
- DC fast chargers

Technical Specifications

Nominal operating voltage	3x440 VAC to 480 VAC ±10%
Overload capability	1.6x rated current for 1 minute, once per hour
Operating frequency	60 Hz ±1 Hz
Total harmonic current distortion THDi*	<5% at rated power
Total demand distortion TDD	According to IEEE 519
Nominal motor drive input power rating	1.5 to 300 HP
High potential test voltage	P → E 2160 VAC (1 s)
Earthing system	TN, TT, IT
Efficiency	>98% for rated voltage and power
Oversvoltage category	OV III (IEC 60664-1 / UL 61800-5-1)
Temperature range (operation and storage)	-25°C to +45°C fully operational +45°C to +70°C derated operation**** -25°C to +85°C transport and storage
Cooling	Internal fan cooling or external cooling***
Protection category	IP 00, IP 20
Flammability corresponding to	UL 94 V-2
Design corresponding to	Filter: UL 61800-5-1, EN 61800-5-1 Chokes: EN 61558-2-20 or EN 60076-6
SCCR**	100 kA
MTBF (Mil-HB-217F)	>200,000 h @ 45°C/480 V

* System requirements: THDv <2%, line voltage unbalance <1%
 Note: performance specifications in this brochure refer to six-pulse diode rectifiers. SCR rectifier front-ends will produce different results, dependent upon the firing angle of the thyristors.
 THDi ~5% at rated power for filter <6 kW/HP
 ** External UL-rated fuses required. Please consult the user manual.
 *** Please check the inlet air flow required for cooling table further in this document and the user manual.
 **** Iderated = Inominal*SQRT((Tmax-Tamb)/(Tmax-Tnominal)) = Inominal*SQRT((70°C-Tamb)/25°C)

Typical electrical schematic



Filter Selection Table @ 480 V / 60 Hz – IP 00 Enclosure

Filter	Rated load power @ 480 V/60 Hz		Motor drive input current [Arms]**	Rated filter input current [Arms]	Weight		Typical losses [W]**	Terminal	Frame size
	[kW]	[HP]			[kg]	[lbs]			
FN 3452-1-110-E0_*****	1.1	1.5	2	1.37	6	13	50	110	A
FN 3452-3-110-E0_*****	2.2	3	4	2.76	8	18	67	110	A
FN 3452-5-112-E0_*****	3.7	5	7	4.57	10	22	116	112	B
FN 3452-8-112-E0_*****	5.6	7.5	11	6.91	13	29	132	112	B
FN 3452-10-112-E0_*****	7.5	10	14	9.29	16	35	160	112	C
FN 3452-15-112-E0_*****	11	15	21	13.8	18	40	237	112	C
FN 3452-20-113-E0_****	15	20	27	18.5	27	60	294	113	D
FN 3452-25-113-E0_****	19	25	34	23.1	31	68	351	113	D
FN 3452-30-113-E0_****	22	30	44	27.8	36	79	354	113	D
FN 3452-40-115-E0_****	30	40	52	37.2	46	101	459	115	E
FN 3452-50-115-E0_****	37	50	66	46.2	51	112	571	115	E
FN 3452-60-115-E0_****	45	60	83	55.6	59	130	589	115	E
FN 3452-75-115-E0_****	56	75	103	69.3	60	132	821	115	F
FN 3452-100-115-E0_****	75	100	128	92.5	82	181	1028	115	F
FN 3452-125-116-E0_****	93	125	165	115	116	256	1067	116	G
FN 3452-150-116-E0_****	112	150	208	139	137	302	1143	116	G
FN 3452-200-118-E0_****	149	200	240	184	170	375	1538	118	H
FN 3452-250-118-E0_******	186	250	320	231	187	412	1411	118	H
FN 3452-300-118-E0_******	224	300	403	279	252	556	1775	118	H

* Filter rating which does not require forced cooling or fan module

** Filter rating which does not require RC damping module for rectifiers with EMI filter

*** Motor drive input current without harmonic filter

**** Typical losses @ 45°C, 480V, 60Hz and rated load power

Filter Power Terminals

Terminal designation*	Screw thread	Stranded wire AWG	Stranded wire	Screw torque		Max width** cable lug [mm]	Frame size
				[mm ²]	[Nm]		
110	M3	14-22	0.4-2.5	0.5	4.4	7	A
112	M4	10-22	0.4-6	1.2	10.6	10	B, C
113	M6	6-18	0.75-16	3	26.6	15	D
115	M8	1/0-8	10-50	8	70.8	15	E, F
116	M8	3/0-8	10-95	8	70.8	17	G
118	M10	3/0-500 kcmil	95-240	10	88.5	35	H

* Recommended connector type: wire or cable lug for 110 to 113, only cable lug for 115 to 118

** To fulfill creepage/clearance acc. UL 61800-5-1 without additional protection (insulation). Creepage/clearance can vary depending on applicable standard and must be reviewed by customer. Creepage/clearance may be reduced when additional protection (insulation) is provided.

Filter Signal And Earth Terminals

Terminal type	Screw thread	Screw torque		Frame size
		[Nm]	[lbs-in]	
Signal	M3*	0.5	4.4	All
Earth (PE)	M5	2.2	19.5	A
Earth (PE)	M6	4	35.4	B, C
Earth (PE)	M8	9	79.7	D, E
Earth (PE)	M10	17	150.5	F, G, H

* Max width cable lug = 7 mm

Filter Selection Table @ 480 V / 60 Hz – IP 20 Enclosure

Filter	Rated load power @ 480 V/60 Hz		Motor drive input current [Arms]**	Rated filter input current [Arms]	Weight		Typical losses [W]****	Terminal	Frame size
	[kW]	[HP]			[kg]	[lbs]			
FN 3452-1-110-E2_*****	1.1	1.5	2	1.37	7	15	50	110	A
FN 3452-3-110-E2_*****	2.2	3	4	2.76	9	20	67	110	A
FN 3452-5-112-E2_*****	3.7	5	7	4.57	11	24	116	112	B
FN 3452-8-112-E2_*****	5.6	7.5	11	6.91	14	31	132	112	B
FN 3452-10-112-E2_*****	7.5	10	14	9.29	17	37	160	112	C
FN 3452-15-112-E2_*****	11	15	21	13.8	20	44	237	112	C
FN 3452-20-113-E2_****	15	20	27	18.5	31	68	294	113	D
FN 3452-25-113-E2_****	19	25	34	23.1	35	77	351	113	D
FN 3452-30-113-E2_****	22	30	44	27.8	40	88	354	113	D
FN 3452-40-115-E2_****	30	40	52	37.2	52	115	459	115	E
FN 3452-50-115-E2_****	37	50	66	46.2	57	126	571	115	E
FN 3452-60-115-E2_****	45	60	83	55.6	65	143	589	115	E
FN 3452-75-115-E2_****	56	75	103	69.3	67	148	821	115	F
FN 3452-100-115-E2_****	75	100	128	92.5	90	198	1028	115	F
FN 3452-125-116-E2_****	93	125	165	115	125	276	1067	116	G
FN 3452-150-116-E2_****	112	150	208	139	146	322	1143	116	G
FN 3452-200-118-E2_****	149	200	240	184	187	412	1538	118	H
FN 3452-250-118-E2_******	186	250	320	231	204	450	1411	118	H
FN 3452-300-118-E2_******	224	300	403	279	269	593	1775	118	H

* Filter rating which does not require forced cooling or fan module

** Filter rating which does not require RC damping module for rectifiers with EMI filter

*** Motor drive input current without harmonic filter

**** Typical losses @ 45°C, 480V, 60Hz and rated load power

Filter Power Terminals

Terminal designation*	Screw thread	Stranded wire AWG	Stranded wire	Screw torque		Max width** cable lug [mm]	Frame size
				[mm ²]	[Nm]		
110	M3	14-22	0.4-2.5	0.5	4.4	7	A
112	M4	10-22	0.4-6	1.2	10.6	10	B, C
113	M6	6-18	0.75-16	3	26.6	15	D
115	M8	1/0-8	10-50	8	70.8	15	E, F
116	M8	3/0-8	10-95	8	70.8	17	G
118	M10	3/0-500 kcmil	95-240	10	88.5	35	H

* Recommended connector type: wire or cable lug for 110 to 113, only cable lug for 115 to 118

** To fulfill creepage/clearance acc. UL 61800-5-1 without additional protection (insulation). Creepage/clearance can vary depending on applicable standard and must be reviewed by customer. Creepage/clearance may be reduced when additional protection (insulation) is provided.

Filter Signal And Earth Terminals

Terminal type	Screw thread	Screw torque		Frame size
		[Nm]	[lbs-in]	
Signal	M3*	0.5	4.4	All
Earth (PE)	M5	2.2	19.5	A
Earth (PE)	M6	4	35.4	B, C
Earth (PE)	M8	9	79.7	D, E
Earth (PE)	M10	17	150.5	F, G, H

* Max width cable lug = 7 mm

Product selector

FN 34nn-xxx-yyy-

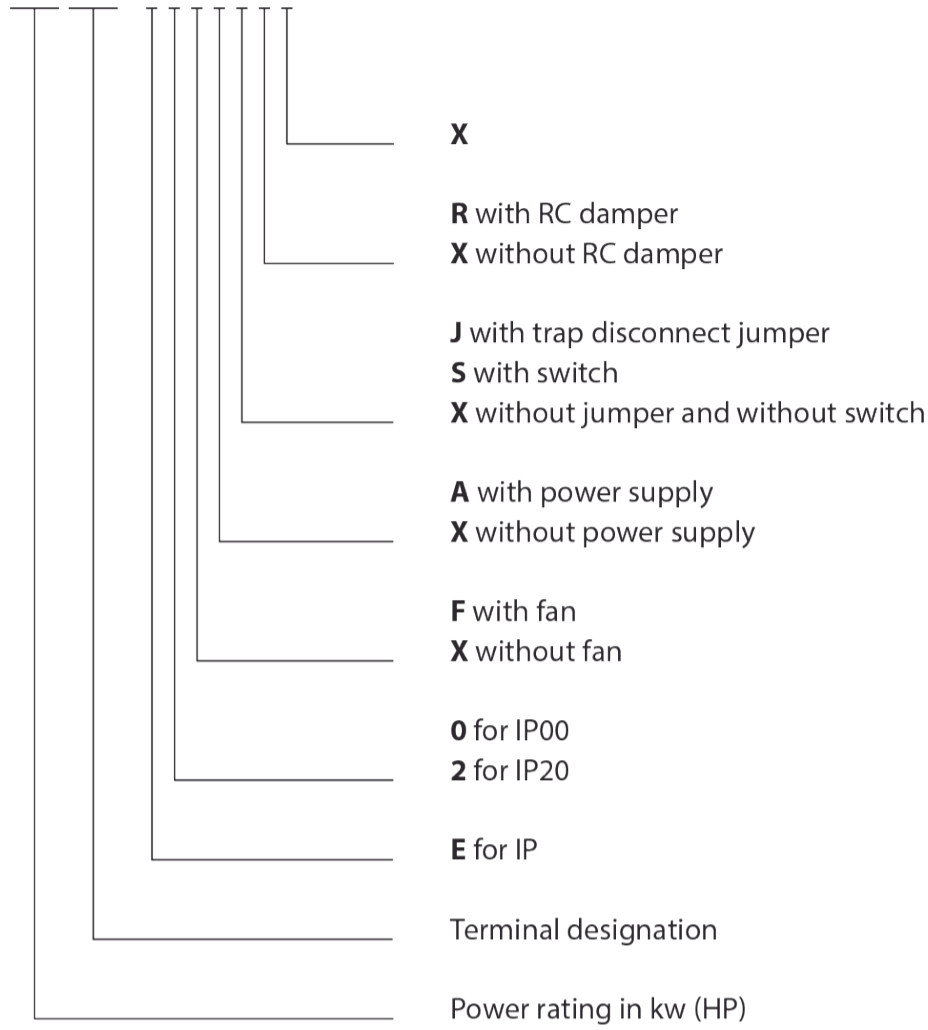


Table 1: Filter Configurations If External Air Flow Is Available For Cooling

(Filters do **not** contain fan and do **not** contain aux. power supply)

E0XXXXX	E0XXJXX	E0XXXXRX	E0XXJRX
- For rectifiers without DC-link choke	- For rectifiers without DC-link choke	- For rectifiers without DC-link choke and with EMI filter	- For rectifiers without DC-link choke and with EMI filter
	- Filters contain trap disconnect jumper	- Filters contain RC damper module	- Contain RC damper module and trap disconnect jumper

Table 2: Filter Configurations With Embedded Ventilation

(Filters contain fan and aux. power supply)

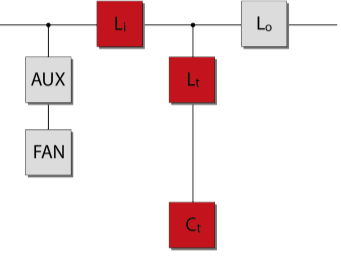
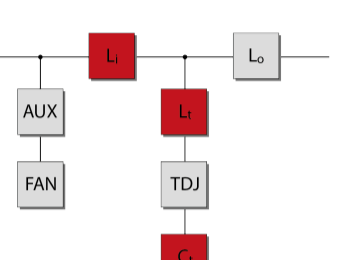
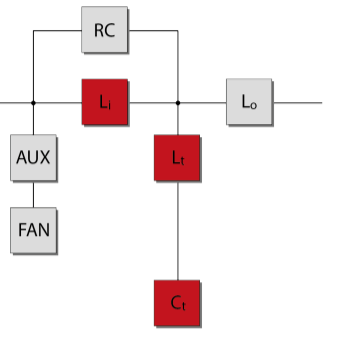
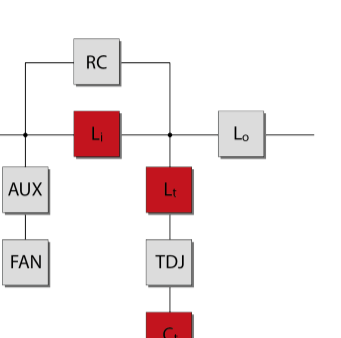
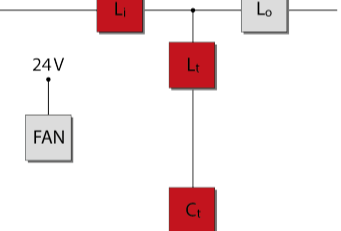
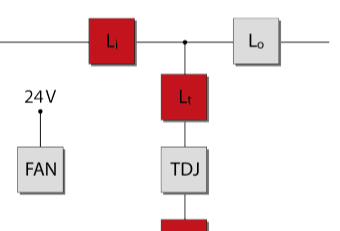
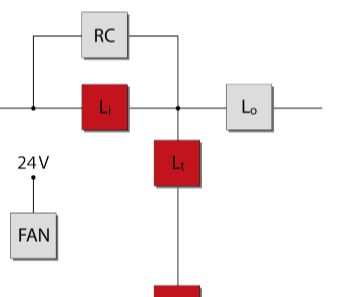
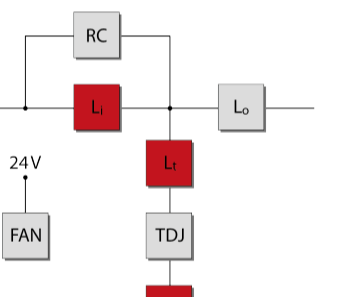
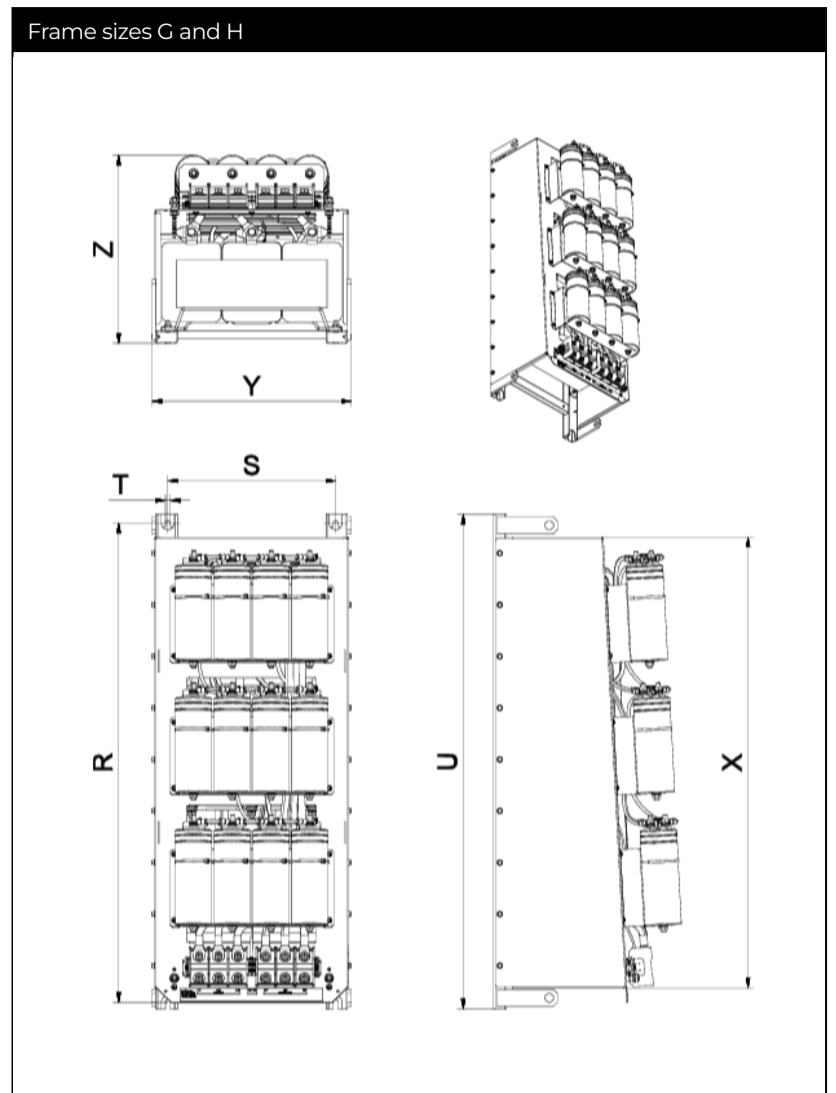
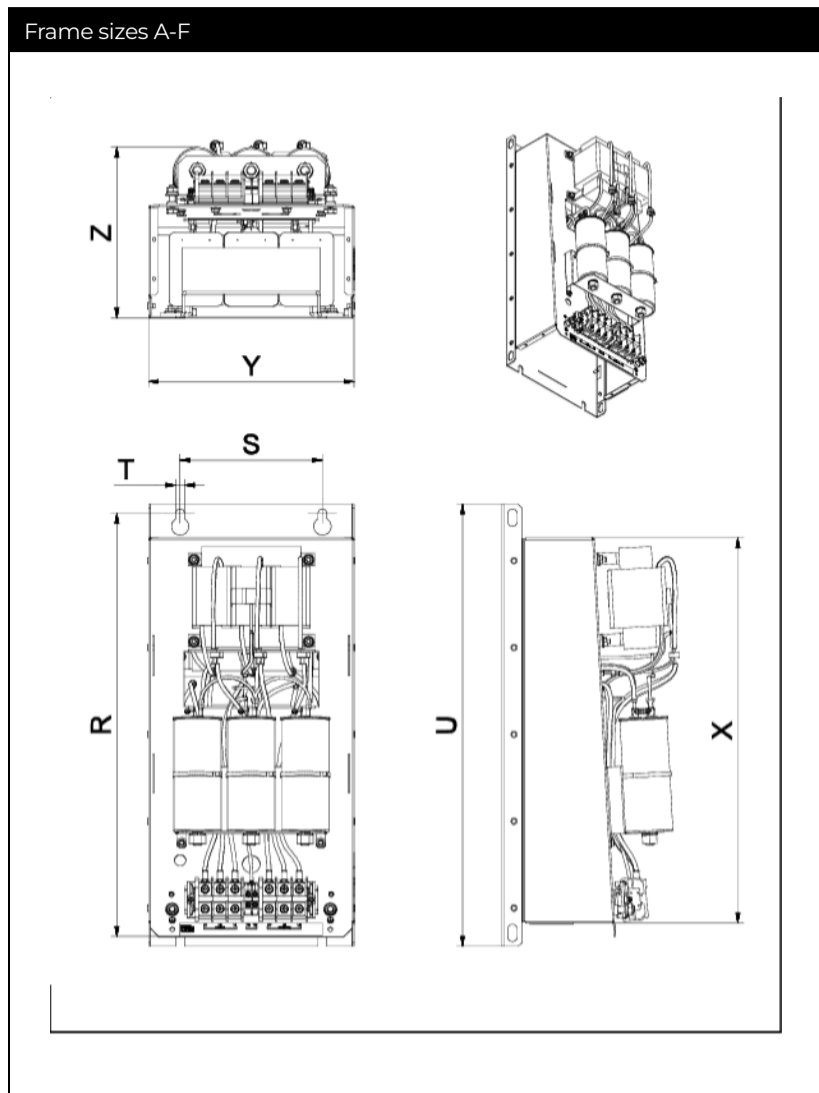
E0FAXXX and E2FAXXX	E0FAJXX and E2FAJXX	E0FAXRX and E2FAXRX	E0FAJRX and E2FAJRX
<ul style="list-style-type: none"> - For rectifiers without DC-link choke 	<ul style="list-style-type: none"> - For rectifiers without DC-link choke 	<ul style="list-style-type: none"> - For rectifiers without DC-link choke and with EMI filter 	<ul style="list-style-type: none"> - For rectifiers without DC-link choke and with EMI filter
<ul style="list-style-type: none"> - Filters contain fan, aux. power supply 	<ul style="list-style-type: none"> - Filters contain fan, aux. power supply and trap disconnect jumper 	<ul style="list-style-type: none"> - Filters contain fan, aux. power supply and RC damper module 	<ul style="list-style-type: none"> - Filters contain fan, aux. power supply, RC damper module and trap disconnect jumper
			

Table 3: Filter Configurations If External Aux. Power Supply For The Fan Is Available

(Filters contain fan but do not contain aux. power supply, user should provide aux. power supply to the fan)

E0FXXXX and E2FXXXX	E0FXJXX and E2FXJXX	E0FXXRX and E2FXXRX	E0FXJRX and E2FXJRX
<ul style="list-style-type: none"> - For rectifiers without DC-link choke 	<ul style="list-style-type: none"> - For rectifiers without DC-link choke 	<ul style="list-style-type: none"> - For rectifiers without DC-link choke and with EMI filter 	<ul style="list-style-type: none"> - For rectifiers without DC-link choke and with EMI filter
<ul style="list-style-type: none"> - Filters contain fan 	<ul style="list-style-type: none"> - Filters contain fan and trap disconnect jumper 	<ul style="list-style-type: none"> - Filters contain fan and RC damper module 	<ul style="list-style-type: none"> - Contain fan, RC damper module and trap disconnect jumper
			

Mechanical Data Of IP 00 Enclosure



Dimensions

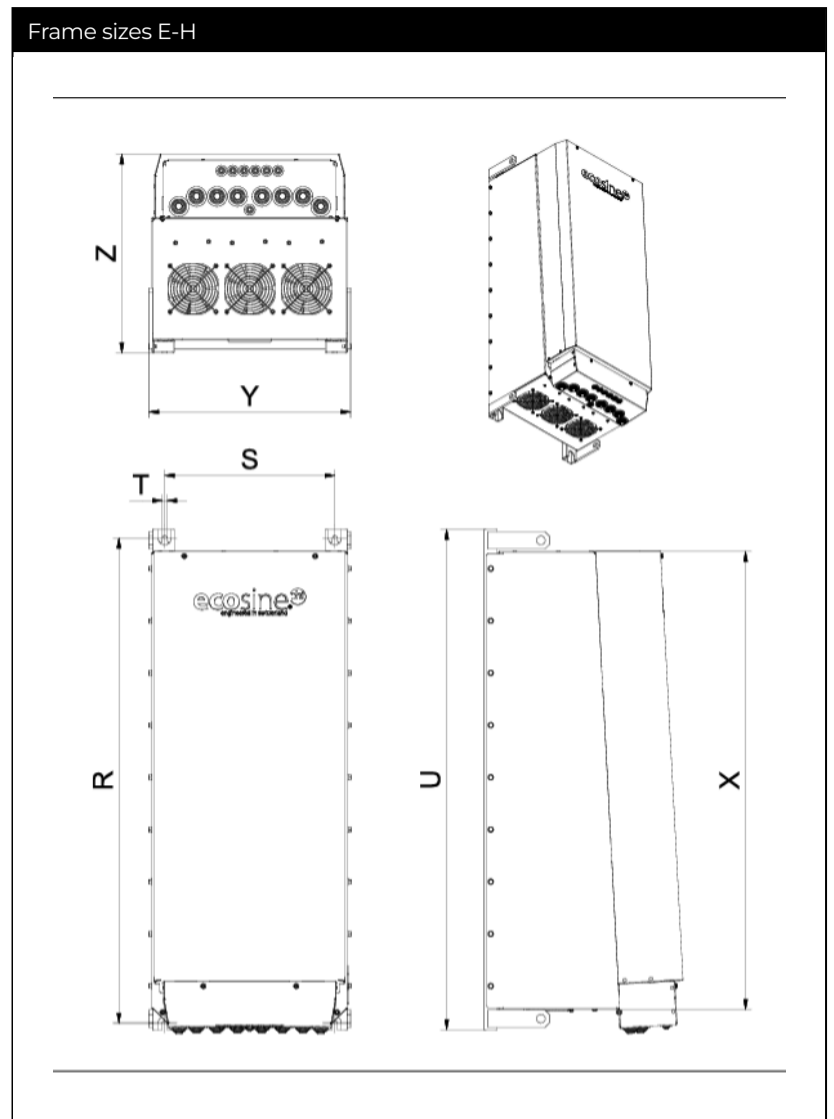
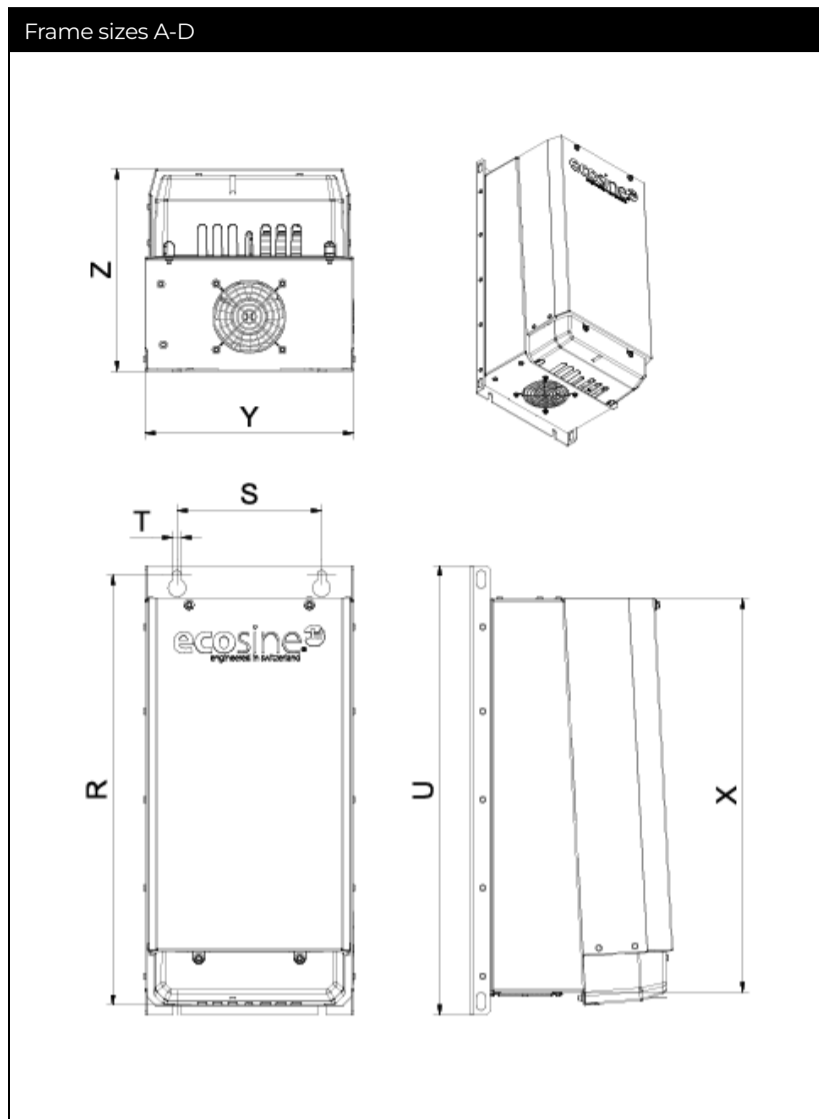
Frame	Dimensions in [mm]							Dimensions in [in]						
	R	Drill pattern		Base	Volume			R	Drill pattern		Base	Volume		
		S	T	U	X	Y	Z		S	T	U	X	Y	Z
A	340	120	7	360	302	160	185	13.4	4.7	0.3	14.2	11.9	6.3	7.3
B	405	120	7	425	370	180	206	15.9	4.7	0.3	16.7	14.6	7.1	8.1
C	460	150	7	483	430	210	221	18.1	5.9	0.3	19.0	16.9	8.3	8.7
D	540	180	11	560	491	260	252	21.3	7.1	0.4	22.0	19.3	10.2	9.9
E	680	220	11	705	635	290	319	26.8	8.7	0.4	27.8	25.0	11.4	12.6
F	730	250	11	752	684	340	343	28.7	9.8	0.4	29.6	26.9	13.4	13.5
G	920	280	11	960	863	353	386	36.2	11.0	0.4	37.8	34.0	13.9	15.2
H	1115	390	11	1150	1053	462	456	43.9	15.4	0.4	45.3	41.5	18.2	18.0

Inlet Air Flow Required For Cooling

Frame size	Min air volume*	
	[m3/h]	CFM [ft3/min]
A, B, C	0	0
D	128	75
E	204	120
F, G	408	240
H	612	360

* External air flow required for filter configurations without embedded ventilation

Mechanical Data Of IP 20 Enclosure



Dimensions

Frame	Dimensions in [mm]							Dimensions in [in]							
	R	Drill pattern			Base	Volume			R	Drill pattern			Base	Volume	
		S	T	U	X	Y	Z		S	T	U	X	Y	Z	
A	340	120	7	360	302	160	185	13.4	4.7	0.3	14.2	11.9	6.3	7.3	
B	405	120	7	425	370	180	206	15.9	4.7	0.3	16.7	14.6	7.1	8.1	
C	460	150	7	483	430	210	221	18.1	5.9	0.3	19.0	16.9	8.3	8.7	
D	540	180	11	560	491	260	252	21.3	7.1	0.4	22.0	19.3	10.2	9.9	
E	680	220	11	705	635	290	319	26.8	8.7	0.4	27.8	25.0	11.4	12.6	
F	730	250	11	752	684	340	343	28.7	9.8	0.4	29.6	26.9	13.4	13.5	
G	920	280	11	960	863	353	386	36.2	11.0	0.4	37.8	34.0	13.9	15.2	
H	1115	390	11	1150	1053	462	456	43.9	15.4	0.4	45.3	41.5	18.2	18.0	

Inlet Air Flow Required For Cooling

Frame size	Min air volume*	
	[m3/h]	CFM [ft3/min]
A, B, C	0	0
D	128	75
E	204	120
F, G	408	240
H	612	360

* External air flow required for filter configurations without embedded ventilation

Headquarters, Global Innovation and Development

Switzerland

Schaffner Group

Industrie Nord
Nordstrasse 5
4542
Luterbach
+41 32 681 66 26
info@schaffner.com

Sales and Application Centers

Switzerland

Schaffner EMV AG

Industrie Nord
Nordstrasse 5
4542
Luterbach
+41 32 681 66 26
switzerlandsales@schaffner.com

China

Beijing Jingzhe Electronics Co.,Ltd.

Room 307, Building A, Jiahua Building, No.9
Shangdi 3rd Street, Haidian District
Beijing Yiting Ying
China
+86 13810880767
yingyiting@bjjingzhe.com

Singapore

Schaffner EMC Pte Ltd.

Blk 3015A Ubi Road 1 #05-09 Kampong Ubi
Industrial Estate
408705
Singapore
+65 63773283
singaporesales@schaffner.com

To find your local partner within
Schaffner's global network schaffner.com

© 2025 Schaffner Group

The content of this document has been carefully checked and understood. However, neither Schaffner nor its subsidiaries assume any liability whatsoever for any errors or inaccuracies of this document and the consequences thereof. Published specifications are subject to change without notice. Product suitability for any area of application must ultimately be determined by the customer. In all cases, products must never be operated outside their published specifications. Schaffner does not guarantee the availability of all published products. This disclaimer shall be governed by substantive Swiss law and resulting disputes shall be settled by the courts at the place of business of Schaffner Holding AG. Latest publications and a complete disclaimer can be downloaded from the Schaffner website. All trademarks recognized.