

# Versatile Filtered Power Entry Module



- Rated currents up to 6 A
- Single or dual-fuse holder
- Fuses  $\phi 6.3 \times 32$  mm  $\phi 5 \times 20$  mm
- 2-pole rocker switch
- General purpose application
- Optional medical versions (B type)

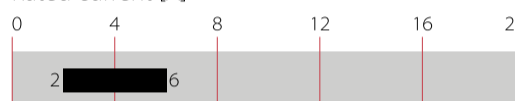


## Performance indicators

Attenuation performance



Rated current [A]



## Technical Specifications

<b>Maximum continuous operating voltage</b>	250 VAC, 50/60 Hz
<b>Nominal operating voltage</b>	230 VAC
<b>Rated currents</b>	2 to 6 A @ 40°C
<b>Operating frequency</b>	50 to 400 Hz DC to 400 Hz
<b>High potential test voltage</b>	P → PE 2000 VAC for 2 sec (standard types) P → PE 2500 VAC for 2 sec (B types) P → N 760 VAC for 2 sec
<b>Temperature range (operation and storage)</b>	-25°C to +85°C (25/85/21)
<b>Protection category</b>	IP 40 according to IEC 60529
<b>Flammability corresponding to</b>	UL 94 V-0
<b>Design corresponding to</b>	UL 1283, CSA 22.2 No. 8 1986, IEC/EN 60939
<b>MTBF (Mil-HB-217F)</b>	>550,000 h @ 40°C/230 V
<b>Switch ratings</b>	
<b>Function</b>	2-pole, dark not illuminated Marking I - 0
<b>Electrical specifications</b>	Inrush current 51 A 6,000 on-off operations according to UL 1054, TV 5 10,000 on-off operations according to ENEC
<b>Europe (ENEC)</b>	6 A (4 A), 250 VAC*
<b>USA (UL)</b>	6 A, 125 VAC 4 A, 250 VAC 1/10 HP
<b>Canada (CSA)</b>	6 A, 125 VAC 4 A, 250 VAC 1/10 HP

\* Value in () relates to the inductive current charge:  $\cos(\phi) = 0.65$

## Approvals & Compliances



The FN 380 power entry module combines an IEC inlet, a mains filter with a single or dual fuse holder and a 2-pole rocker switch. Choosing FN 380 product line brings you the rapid availability of a standard filter associated with the necessary safety acceptances. Standard IEC connector filters are a practical solution helping you to pass EMI system approval in a short time. A wide selection on amperage ratings, fuse options, mounting possibilities and filters for medical applications are designed to offer you the desired solution.

## Features and Benefits

- Good conducted attenuation performance, based on chokes with high saturation resistance and excellent thermal behavior
- Front or snap-in mounting
- Single or dual-fuse holder
- USA  $\phi 6.3 \times 32$  mm or EU  $\phi 5 \times 20$  mm fuses
- 2-pole rocker switch

## Typical Applications

- Portable electrical and electronic equipment
- Consumer goods
- EDP and office equipment
- Single-phase power supplies, switch-mode power supplies
- Test and measurement equipment
- Medical equipment

## Filter Selection Table

Filter*	Rated current @ 40°C (25°C) [A]	Leakage current** @ 230 VAC/50 Hz [µA]	Inductance*** L [mH]	Capacitance***		Resistance*** R [kΩ]	Fuses**** [Qty]	Weight [g]
				Cx [nF]	Cy [nF]			
<b>FN 380-2-2 z</b>	2 (2.4)	373	0.70	47	2.2		1	55
<b>FN 380-4-2 z</b>	4 (4.8)	373	0.30	47	2.2		1	55
<b>FN 380-6-2 z</b>	6 (7.2)	373	0.18	47	2.2		1	55
<b>FN 382-2-2 z</b>	2 (2.4)	373	0.70	47	2.2		2	55
<b>FN 382-4-2 z</b>	4 (4.8)	373	0.30	47	2.2		2	55
<b>FN 382-6-2 z</b>	6 (7.2)	373	0.18	47	2.2		2	55
<b>FN 388-2-2 z</b>	2 (2.4)	373	0.70	47	2.2		2	60
<b>FN 388-4-2 z</b>	4 (4.8)	373	0.30	47	2.2		2	60
<b>FN 388-6-2 z</b>	6 (7.2)	373	0.18	47	2.2		2	60
<b>FN 389-2-2 z</b>	2 (2.4)	373	2.00	47	2.2		2	70
<b>FN 389-4-2 z</b>	4 (4.8)	373	0.80	47	2.2		2	70
<b>FN 389-6-2 z</b>	6 (7.2)	373	0.50	47	2.2		2	70
<b>FN 382 B-2-2 z</b>	2 (2.4)	2	0.70	47		1000	2	55
<b>FN 382 B-4-2 z</b>	4 (4.8)	2	0.30	47		1000	2	55
<b>FN 382 B-6-2 z</b>	6 (7.2)	2	0.18	47		1000	2	55
<b>FN 385 B-2-2 z</b>	2 (2.4)	2	2.00	47		1000	2	65
<b>FN 385 B-4-2 z</b>	4 (4.8)	2	0.80	47		1000	2	65
<b>FN 385 B-6-2 z</b>	6 (7.2)	2	0.50	47		1000	2	65
<b>FN 389 B-2-2 z</b>	2 (2.4)	2	2.00	47		1000	2	70
<b>FN 389 B-4-2 z</b>	4 (4.8)	2	0.80	47		1000	2	70
<b>FN 389 B-6-2 z</b>	6 (7.2)	2	0.50	47		1000	2	70

\* Select the requested fuse holder for fuse EUR-1 or USA-1 (z).






\*\* Maximum leakage under normal operating conditions. Note: if the neutral line is interrupted, worst case leakage could reach twice this level.

\*\*\* Tolerances apply: Inductance: -30/+50%, Capacitance: ±20%, Resistance: ±10%

\*\*\*\* Filters are delivered without fuse.

## Product selector

FN 38xx-y-zz

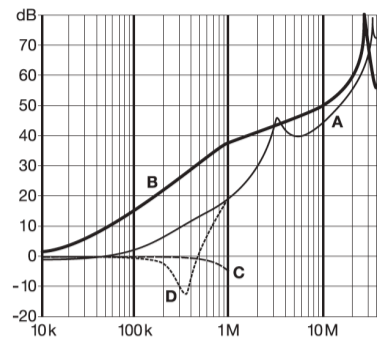
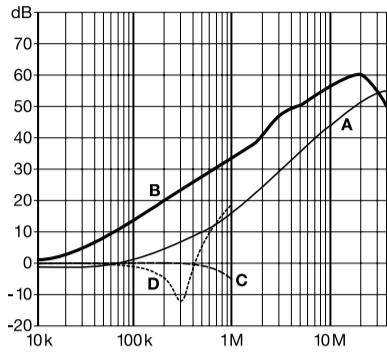
- 1: Fuse Ø5 x 20mm (FUSE-H EUR-1)
- 2: Fuse Ø6.3 x 32mm (FUSE-H USA-1)
- 2: Rocker switch, 2-pole, dark not illuminated
- 2 to 6: Rated current
- Blank: Standard version
- B: Medical version (with bleed resistor and without Y2-capacitor)
- 0:  Snap-in version, single-fuse, standard performance
- 2:  Snap-in version, dual-fuse, standard performance
- 5:  Snap-in version, dual-fuse, high performance
- 8:  Flange mounting version, dual-fuse, standard performance
- 9:  Flange mounting version, dual-fuse, high performance

### Typical Filter Attenuation

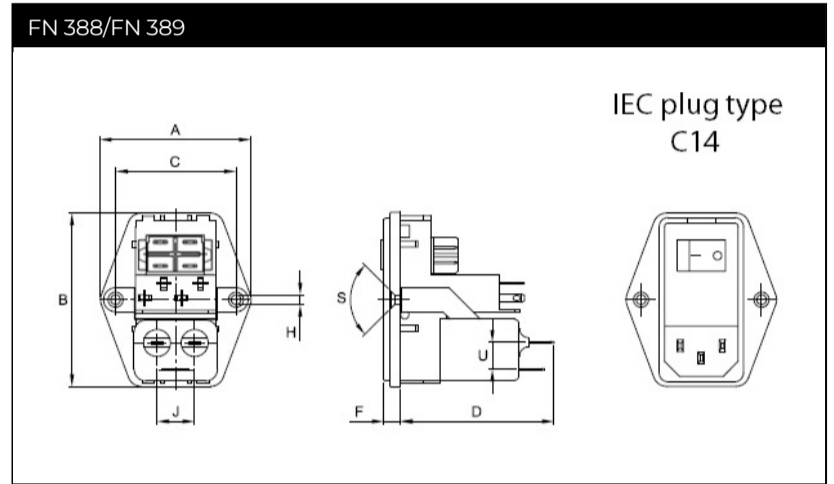
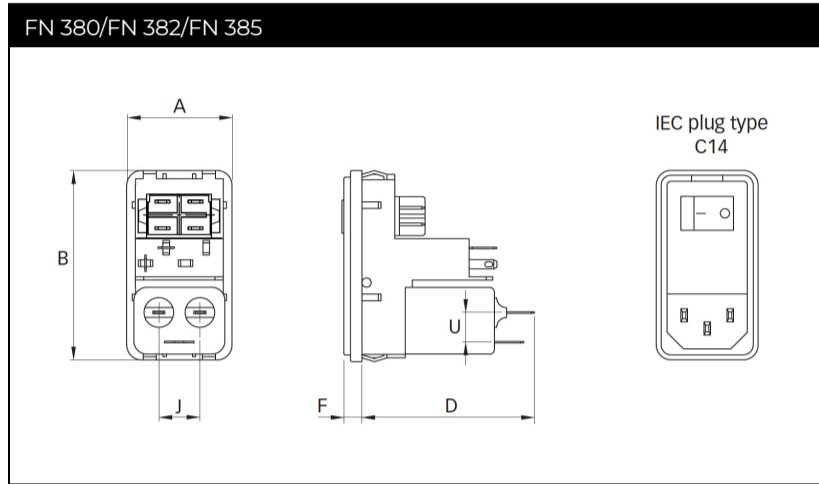
Per CISPR 17; A=50 Ω/50 Ω sym; B=50 Ω/50 Ω asym; C=0.1 Ω/100 Ω sym; D=100 Ω/0.1 Ω sym

FN 380/FN 382/FN 388

FN 385/FN 389



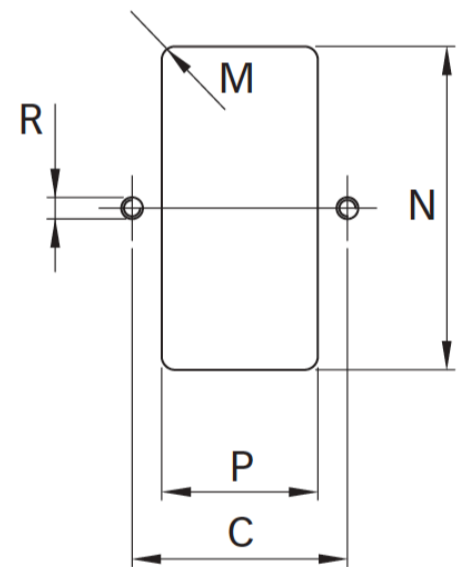
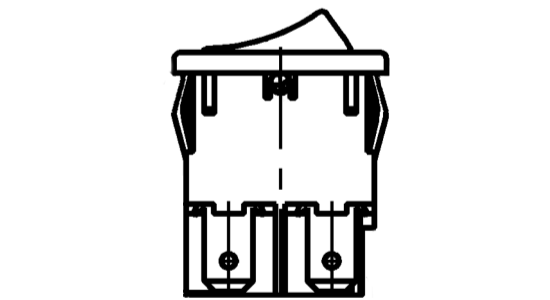
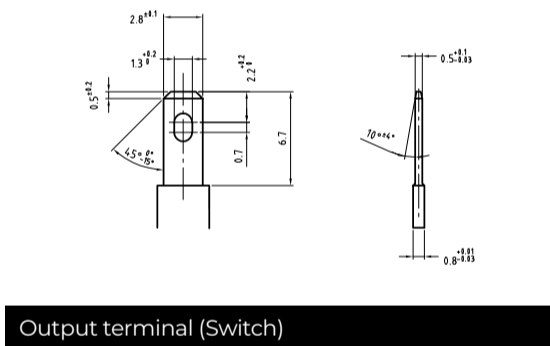
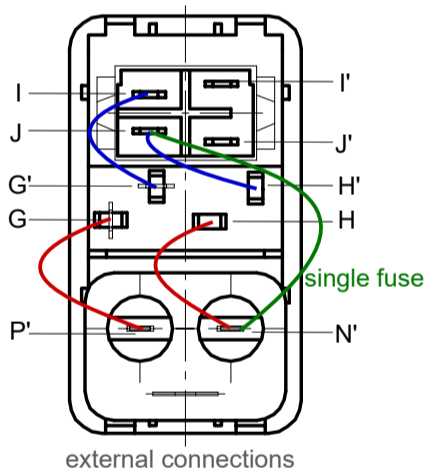
### Mechanical Data



### Connection designation

### Output terminal (Filter and Fuse)

### Panel cut out



Blade terminals of switch acc. DIN 46 244-A4.8-0.8 (do not connect by soldering)

## Dimensions

	<b>FN 380</b>	<b>FN 382</b>	<b>FN 385</b>	<b>FN 388</b>	<b>FN 389</b>	<b>Tolerances</b>
<b>A</b>	32	32	32	50	50	±0.3
<b>B</b>	58	58	58	58	58	±0.3
<b>C</b>				40	40	±0.1
<b>D</b>	51	51	61	51	61	
<b>F</b>	5.5	5.5	5.5	5.5	5.5	
<b>H</b>				Ø3.3	Ø3.3	
<b>J</b>	12.5	12.5	12.5	12.5	12.5	
<b>M</b>	R ≤2	R ≤2	R ≤2	R ≤2	R ≤2	±0.1
<b>N</b>	55.9*/56.2**	55.9*/56.2**	55.9*/56.2**	55.9*/56.2**	55.9*/56.2**	+0.2/-0
<b>P</b>	28.5	28.5	28.5	28.5	28.5	+0.2/-0
<b>R</b>				M3	M3	
<b>S</b>				90°	90°	
<b>U</b>	9	9	9	9	9	

\* For a back panel thickness between 0.8 and 2.0 mm

\*\* For a back panel thickness between 2.1 and 3.2 mm

All dimensions in mm; 1 inch=25.4 mm

Tolerances according: ISO 2768-m/EN 22768-m

Please visit [www.schaffner.com](http://www.schaffner.com) to find more details on filter connectors.

## Headquarters, Global Innovation and Development

### Switzerland

#### Schaffner Group

Industrie Nord  
Nordstrasse 5  
4542  
Luterbach  
+41 32 681 66 26  
[info@schaffner.com](mailto:info@schaffner.com)

## Sales and Application Centers

### Finland

#### Schaffner Oy

Lohjanharjuntie 1109  
08500  
Lohja  
+ 358 50 468 72 84  
[finlandsales@schaffner.com](mailto:finlandsales@schaffner.com)

### France

#### Schaffner EMC S.A.S.

16-20 Rue Louis Rameau  
95875  
Bezons  
+33 1 34 34 30 60  
[francesales@schaffner.com](mailto:francesales@schaffner.com)

### Germany

#### Schaffner Deutschland GmbH

Ohiostr. 8  
76149  
Karlsruhe  
+49 721 56910  
[germanysales@schaffner.com](mailto:germanysales@schaffner.com)

### Italy

#### Schaffner EMC S.r.l.

Via Ticino, 30  
20900  
Monza (MB)  
+39 335 120 44 32  
[italysales@schaffner.com](mailto:italysales@schaffner.com)

### Japan

#### Schaffner EMC K.K.

ISM Sangenjaya 7F  
1-32-12 Kamiyama Setagaya-ku  
154-0011  
Tokyo  
+81 3 5712 3650  
[japansales@schaffner.com](mailto:japansales@schaffner.com)

### Singapore

#### Schaffner EMC Pte Ltd.

Blk 3015A Ubi Road 1 #05-09 Kampong Ubi  
Industrial Estate  
408705  
Singapore  
+65 63773283  
[singaporesales@schaffner.com](mailto:singaporesales@schaffner.com)

### Sweden

#### Schaffner EMC AB

Östermalmströgr 1  
114 42  
Stockholm  
+46 8 5050 2425  
[swedensales@schaffner.com](mailto:swedensales@schaffner.com)

### Switzerland

#### Schaffner EMV AG

Industrie Nord  
Nordstrasse 5  
4542  
Luterbach  
+41 32 681 66 26  
[switzerlandsales@schaffner.com](mailto:switzerlandsales@schaffner.com)

### India

#### Schaffner India Pvt. Ltd

Regus World Trade Centre  
WTC 22nd Floor Unit No 2238 Brigade  
Gateway Campus 26/1 Dr. Rajkumar Road  
Malleshwaram (W)  
560055  
Bangalore  
+91 8067935355  
[indiasales@schaffner.com](mailto:indiasales@schaffner.com)

### United Kingdom

#### Schaffner Ltd.

Suite 1 Oakmede Place  
Terrace Road  
RG42 4JF  
Binfield  
+44 118 9770070  
[schaffner.uksales@te.com](mailto:schaffner.uksales@te.com)

### United States

#### Schaffner EMC Inc.

52 Mayfield Avenue  
Edison, New Jersey  
+1 732 225 9533  
[usasales@schaffner.com](mailto:usasales@schaffner.com)

To find your local partner within Schaffner's global network [schaffner.com](http://schaffner.com)

© 2025 Schaffner Group

The content of this document has been carefully checked and understood. However, neither Schaffner nor its subsidiaries assume any liability whatsoever for any errors or inaccuracies of this document and the consequences thereof. Published specifications are subject to change without notice. Product suitability for any area of application must ultimately be determined by the customer. In all cases, products must never be operated outside their published specifications. Schaffner does not guarantee the availability of all published products. This disclaimer shall be governed by substantive Swiss law and resulting disputes shall be settled by the courts at the place of business of Schaffner Holding AG. Latest publications and a complete disclaimer can be downloaded from the Schaffner website. All trademarks recognized.