

# EMC/RFI line filter for lighting equipment



- Voltage rating up to 350 VAC
- Current rating 2 A, 5 A and 8 A
- Offers attenuation fitting to lighting application
- Compact, space-saving design
- Cable outlets with enhanced length give freedom for flexible installation



## Technical Specifications

<b>Maximum continuous operating voltage</b>	350 VAC
<b>Nominal operating voltage</b>	277 VAC
<b>Rated currents</b>	2 A, 5 A and 8 A @ 60°C
<b>Operating frequency</b>	DC to 60 Hz
<b>High potential test voltage</b>	P → PE 3000 VDC for 2 sec P → N 1500 VDC for 2 sec
<b>Overvoltage category</b>	II acc. IEC 60664-1
<b>Pollution degree</b>	2 acc. IEC 60664-1
<b>Temperature range (operation and storage)</b>	-40°C to 90°C (40/90/21)
<b>Certified to</b>	UL 60939-3, CSA Std C22.2 No. 8, IEC/EN 60939-3, GB/T 15287, GB/T 15288
<b>MTBF (Mil-HB-217F)</b>	>1,400,000 h @ 60°C/350 V

## Approvals & Compliances



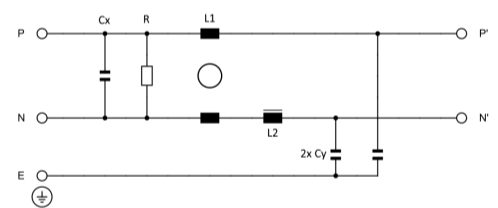
## Features and Benefits

- FN 2580 are specially developed for lighting application
- Offering high differential and common mode performance in low profile housing
- Cable outlets are flexible in terms of connection and make the assembly easy
- Voltage rating according to high voltage LED lighting market

## Typical Applications

- Lighting Equipment
- LED Driver and displays
- Street Lamps and signage
- Industrial and architectural lighting
- Fluorescent ballasts
- Other applications with high demand for differential mode performance

## Typical electrical schematic



### Filter Selection Table

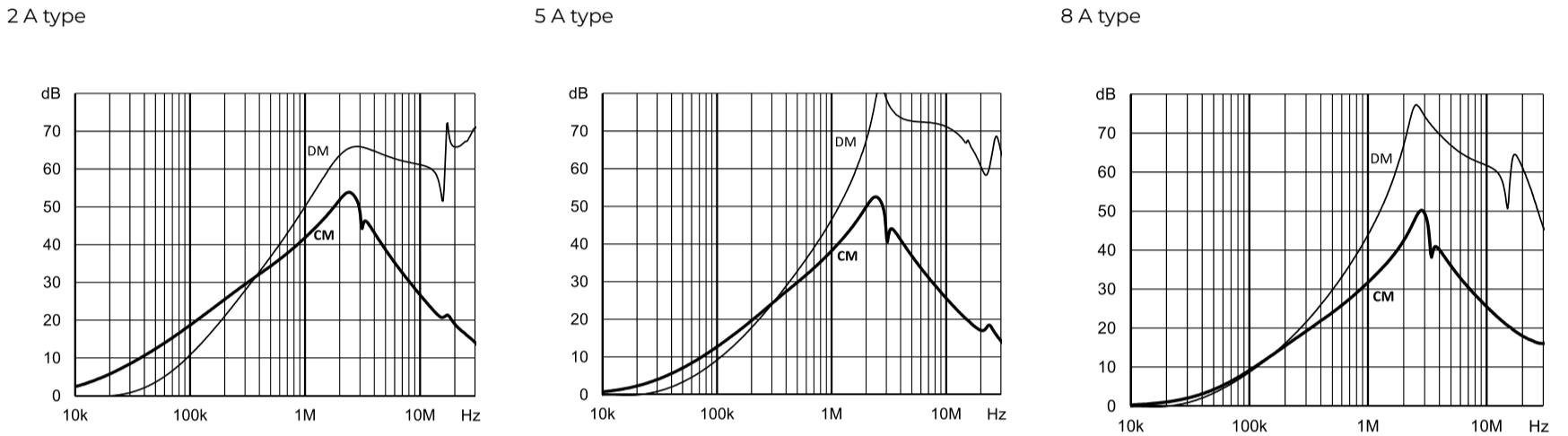
Filter	Rated current @ 60°C [A]	Leakage current* @ 350 VAC/60 Hz [mA]	Inductance**		Capacitance**		Dis. Resistor** R [kΩ]	Weight [g]
			L1 [mH]	L2 [uH]	Cx [μF]	Cy [nF]		
<b>FN 2580-2-07</b>	2	0.66	1.56	78	0.165	5	1000	130
<b>FN 2580-5-07</b>	5	0.66	0.88	52	0.165	5	1000	140
<b>FN 2580-8-07</b>	8	0.66	0.49	35	0.165	5	1000	145

\* Maximum leakage under usual AC operating conditions (acc. IEC 60939-3). Note: if the neutral line is interrupted, worst case leakage could reach twice this level.

\*\* Tolerances apply: Inductance: -30/+50%, Capacitance: ±20%, Resistance: ±10%

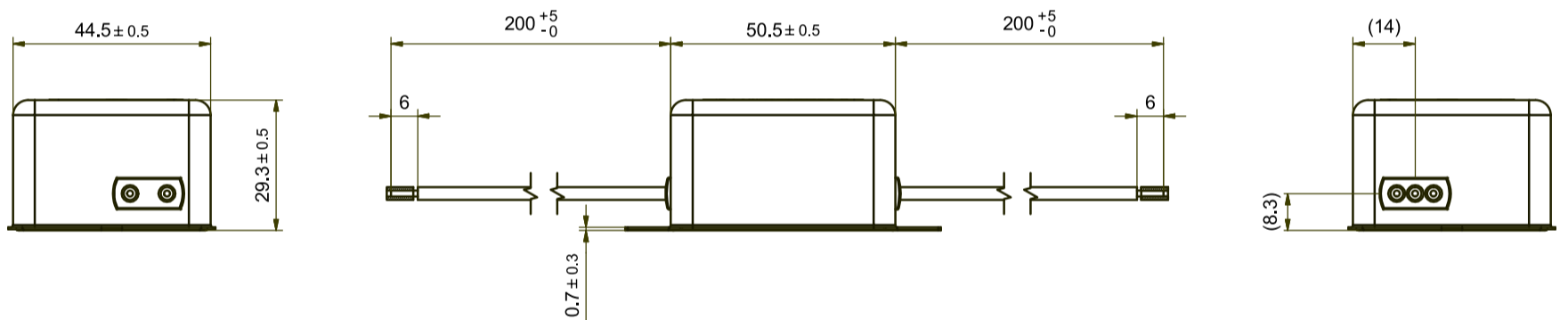
### Typical Filter Attenuation

Per CISPR 17; DM=50 Ω/50 Ω sym, differential mode; CM=50 Ω/50 Ω asym, common mode

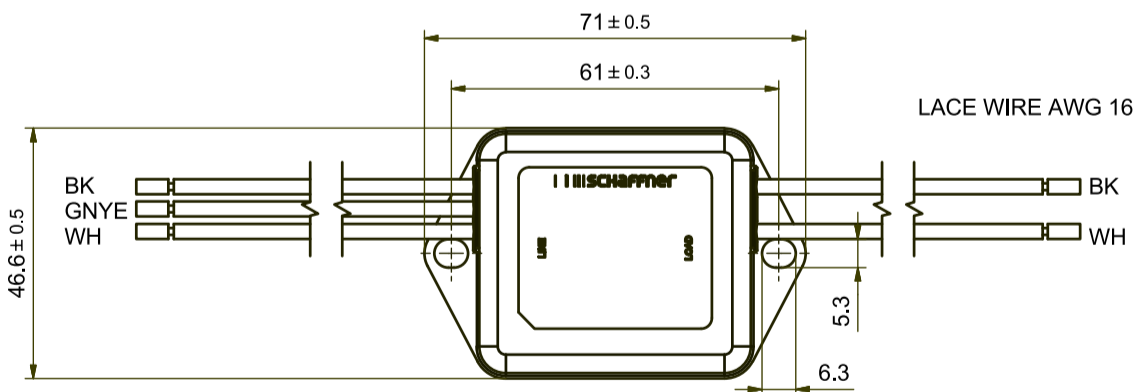


### Mechanical Data

#### Side View



#### Top View



- 2 A : Lace Wire 18 AWG
- 5 A : Lace Wire 18 AWG
- 8 A : Lace Wire 16 AWG

WH = White ; BK = Black ; GNYE = Green Yellow

All dimensions in mm; 1 inch = 25.4 mm  
Tolerances according: ISO 2768-m/EN 22768-m

## Headquarters, Global Innovation and Development

### Switzerland

#### Schaffner Group

Industrie Nord  
Nordstrasse 5  
4542  
Luterbach  
+41 32 681 66 26  
[info@schaffner.com](mailto:info@schaffner.com)

## Sales and Application Centers

### Finland

#### Schaffner Oy

Lohjanharjuntie 1109  
08500  
Lohja  
+ 358 50 468 72 84  
[finlandsales@schaffner.com](mailto:finlandsales@schaffner.com)

### France

#### Schaffner EMC S.A.S.

16-20 Rue Louis Rameau  
95875  
Bezons  
+33 1 34 34 30 60  
[francesales@schaffner.com](mailto:francesales@schaffner.com)

### Germany

#### Schaffner Deutschland GmbH

Ohiostr. 8  
76149  
Karlsruhe  
+49 721 56910  
[germanysales@schaffner.com](mailto:germanysales@schaffner.com)

### Italy

#### Schaffner EMC S.r.l.

Via Ticino, 30  
20900  
Monza (MB)  
+39 335 120 44 32  
[italysales@schaffner.com](mailto:italysales@schaffner.com)

### Japan

#### Schaffner EMC K.K.

ISM Sangenjaya 7F  
1-32-12 Kamiyama Setagaya-ku  
154-0011  
Tokyo  
+81 3 5712 3650  
[japansales@schaffner.com](mailto:japansales@schaffner.com)

### Singapore

#### Schaffner EMC Pte Ltd.

Blk 3015A Ubi Road 1 #05-09 Kampong Ubi  
Industrial Estate  
408705  
Singapore  
+65 63773283  
[singaporesales@schaffner.com](mailto:singaporesales@schaffner.com)

### Sweden

#### Schaffner EMC AB

Östermalmströgr 1  
114 42  
Stockholm  
+46 8 5050 2425  
[swedensales@schaffner.com](mailto:swedensales@schaffner.com)

### Switzerland

#### Schaffner EMV AG

Industrie Nord  
Nordstrasse 5  
4542  
Luterbach  
+41 32 681 66 26  
[switzerlandsales@schaffner.com](mailto:switzerlandsales@schaffner.com)

### India

#### Schaffner India Pvt. Ltd

Regus World Trade Centre  
WTC 22nd Floor Unit No 2238 Brigade  
Gateway Campus 26/1 Dr. Rajkumar Road  
Malleshwaram (W)  
560055  
Bangalore  
+91 8067935355  
[indiasales@schaffner.com](mailto:indiasales@schaffner.com)

### United Kingdom

#### Schaffner Ltd.

Suite 1 Oakmede Place  
Terrace Road  
RG42 4JF  
Binfield  
+44 118 9770070  
[schaffner.uksales@te.com](mailto:schaffner.uksales@te.com)

### United States

#### Schaffner EMC Inc.

52 Mayfield Avenue  
Edison, New Jersey  
+1 732 225 9533  
[usasales@schaffner.com](mailto:usasales@schaffner.com)

To find your local partner within Schaffner's global network [schaffner.com](http://schaffner.com)

© 2025 Schaffner Group

The content of this document has been carefully checked and understood. However, neither Schaffner nor its subsidiaries assume any liability whatsoever for any errors or inaccuracies of this document and the consequences thereof. Published specifications are subject to change without notice. Product suitability for any area of application must ultimately be determined by the customer. In all cases, products must never be operated outside their published specifications. Schaffner does not guarantee the availability of all published products. This disclaimer shall be governed by substantive Swiss law and resulting disputes shall be settled by the courts at the place of business of Schaffner Holding AG. Latest publications and a complete disclaimer can be downloaded from the Schaffner website. All trademarks recognized.