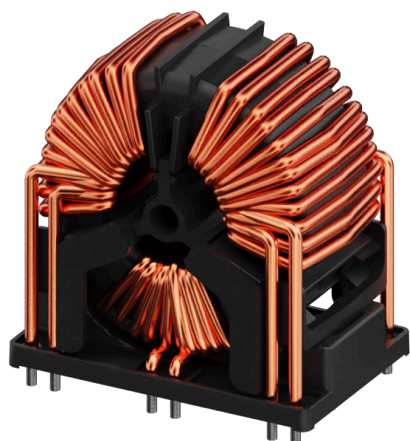


# RT8532-25-1M5

SAP Code: 822803



- PCB Common Mode Choke
- Vertical 25 A PCB three line Common Mode Choke with 1,5 mH Inductance
- General
- 3 Line

Buy article now



## Family Technical Specifications

<b>Rated currents</b>	25
<b>Rated inductance</b>	0.3 to 6 mH (3-line) 0.5 to 10 mH (2-line)
<b>Altitude</b>	2000 m, current and voltage derating above
<b>Vibration and shock</b>	3M4 (according IEC 60721-3-3)
<b>Flammability according to</b>	UL 94 V0
<b>MTBF</b>	>2'000'000 h (MIL-HDBK-217)
<b>Operating voltage</b>	600 VAC (3-line) 300 VAC/425 VDC (2-line)
<b>Operating frequency</b>	DC to 400 Hz
<b>Stray inductance</b>	Max. 1% of rated inductance (@ 100 kHz 1 V, 0 A)
<b>High potential test voltage</b>	3 kV DC 3s (coil to coil) Repetition with max. 80% of the HV test voltage
<b>Temperature range (operation and storage)</b>	-40°C to +100°C (6 to 20 A) / -40°C to +125°C (25 to 63 A)
<b>Climatic category</b>	40/100/56 (acc. IEC 60068-1) (6 to 20 A) / 40/125/56 (acc. IEC 60068-1) (25 to 63 A)
<b>Design corresponding to</b>	UL/IEC 60938-1/-2 UL1446 (>20A)
<b>Overvoltage category</b>	III (acc. IEC 60664-1)
<b>Creepage and clearance distances</b>	Creepage & Clearance (2-line): ≥ 3.5 mm (Coil - Coil) / ≥ 3.0 mm (Coil-Core) Creepage & Clearance (3-line): ≥ 6.3 mm (Coil - Coil) / ≥ 5.5 mm (Coil-Core)
<b>Pollution degree</b>	PD2 (acc. IEC60664-1)

## Approvals & Compliances



EIS applicable for currents > 20A

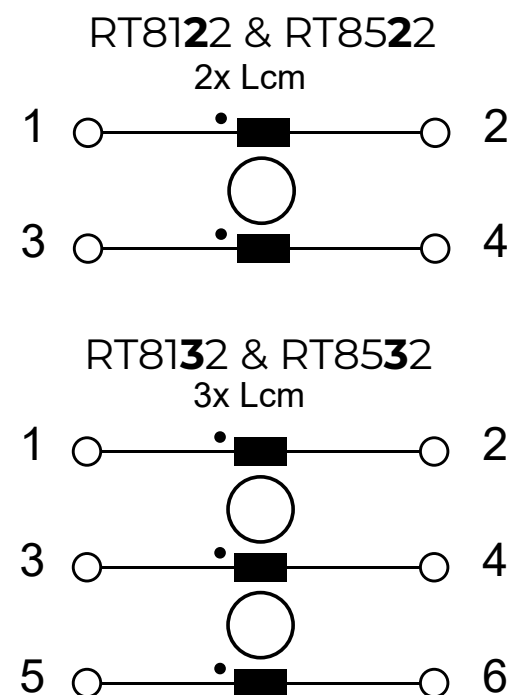
## Features and Benefits

- Cost-effective PCB designs for up to 100 A with forced cooling \*
- EIS (elektrical insulation system E332676) for currents > 20A acc. to UL 1446
- Compact size and light weight
- Low magnetic leakage flux
- Excellent winding insulation
- Standardized foot print
- Broad range of inductance ratings
- Custom-specific versions on request

## Typical Applications

- AC and DC filtering for midsize power range drives, photovoltaic inverters, fast chargers, EV charging stations, UPS and switch mode power supplies
- Filter with low leakage current noise or improved immunity against grid disturbances
- Electronic devices, automation and (industrial) LED lighting
- Communication devices
- Medical and laboratory Equipment
- Converters

## Typical electrical schematic



### General Specification

Voltage AC	600 (Volt)
Nominal Frequency	50
Rated Current @ambient	25
Ambient temperature [°C]	60

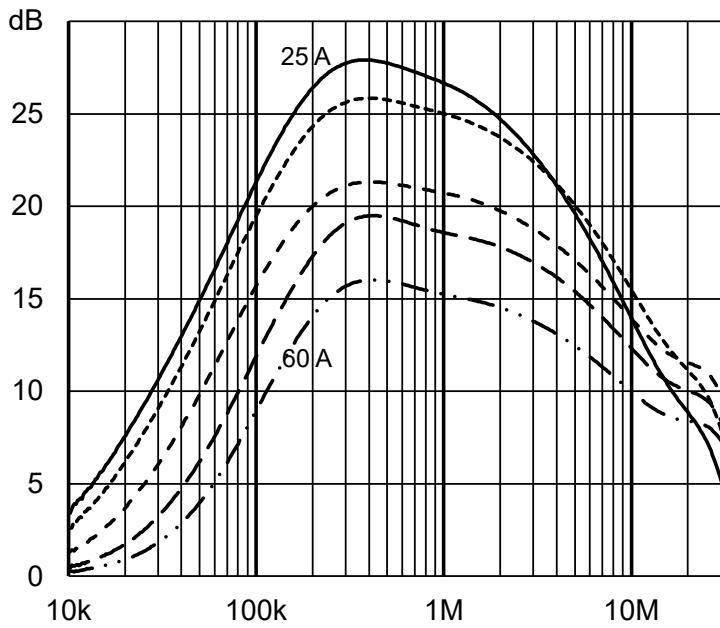
### Electric Specification

Input terminal	02 - PCB Pin
----------------	--------------

### Attenuation Specification

Inductance L1	1.5 (Millihenry)
---------------	------------------

Attenuation graph

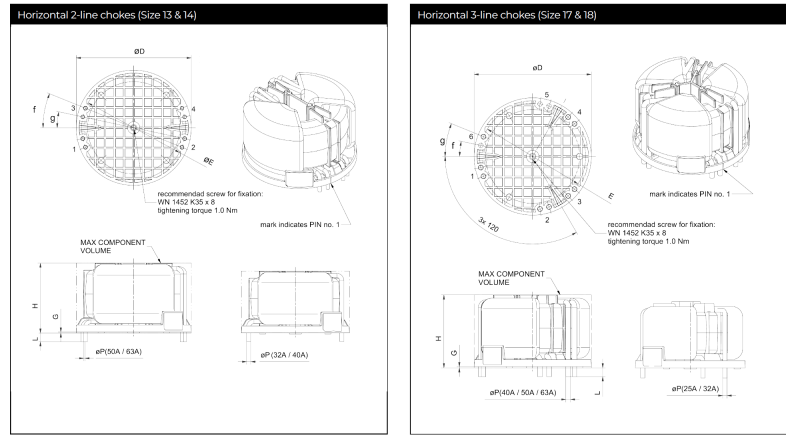


# Mechanic Specification

## Schaffner schemes

### Mechanical Data Image

All dimensions in mm; 1 inch = 25.4 mm  
Tolerances according: ISO 2768-m/EN 22768-m



### Dimensions

	eD	H	G	eE	f	g	L	ΦP (25A)	ΦP (32A)	ΦP (40A)	ΦP (50A)	ΦP (63A)
	±0.2	(max)	±0.1	±0.2	±10°	±10°	±0.5	±0.1	±0.1	±0.1	±0.1	±0.1
<b>Size 13 (RT8122-32-1M5, RT8122-40-1M2)</b>	62	37	0.6	55.4	150°	5	5	2.4	2.8	2.2	2.2	
<b>Size 14 (RT8122-50-1M0, RT8122-63-0M5)</b>	66	41	0.6	59.8	120°	220°	5					
<b>Size 17 (RT8132-25-1M5, RT8132-32-1M2)</b>	62	38	0.6	55.4	150°	5	2.4	2.4				
<b>Size 18 (RT8132-40-0M7, RT8132-40-0M5, RT8132-63-0M3)</b>	66	42	0.6	59.8	120°	220°	5		1.9	2.2	2.6	

## Dimensions