

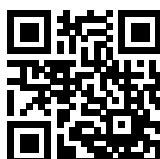
# RT8132-8-4M8

SAP Code: 816968



- PCB Common Mode Choke
- Horizontal 8 A PCB three line Common Mode Choke with 4,8 mH Inductance
- General
- 3 Line

[Buy article now](#)



## Family Technical Specifications

<b>Rated currents</b>	8
<b>Rated inductance</b>	0.3 to 6 mH (3-line) 0.5 to 10 mH (2-line)
<b>Altitude</b>	2000 m, current and voltage derating above
<b>Vibration and shock</b>	3M4 (according IEC 60721-3-3)
<b>Flammability according to</b>	UL 94 V0
<b>MTBF</b>	>2'000'000 h (MIL-HDBK-217)
<b>Operating voltage</b>	600 VAC (3-line) 300 VAC/425 VDC (2-line)
<b>Operating frequency</b>	DC to 400 Hz
<b>Stray inductance</b>	Max. 1% of rated inductance (@ 100 kHz 1 V, 0 A)
<b>High potential test voltage</b>	3 kV DC 3s (coil to coil) Repetition with max. 80% of the HV test voltage
<b>Temperature range (operation and storage)</b>	-40°C to +100°C (6 to 20 A) / -40°C to +125°C (25 to 63 A)
<b>Climatic category</b>	40/100/56 (acc. IEC 60068-1) (6 to 20 A) / 40/125/56 (acc. IEC 60068-1) (25 to 63 A)
<b>Design corresponding to</b>	UL/IEC 60938-1/-2 UL1446 (>20A)
<b>Overvoltage category</b>	III (acc. IEC 60664-1)
<b>Creepage and clearance distances</b>	Creepage & Clearance (2-line): ≥ 3.5 mm (Coil - Coil) / ≥ 3.0 mm (Coil-Core) Creepage & Clearance (3-line): ≥ 6.3 mm (Coil - Coil) / ≥ 5.5 mm (Coil-Core)
<b>Pollution degree</b>	PD2 (acc. IEC60664-1)

## Approvals & Compliances



EIS applicable for currents > 20A

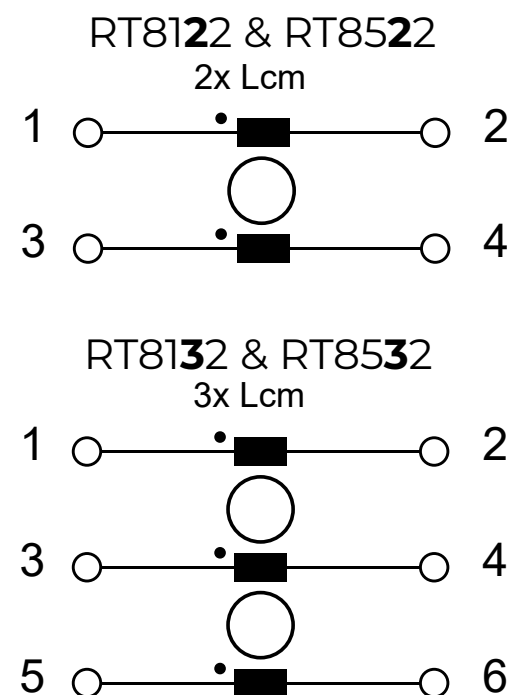
## Features and Benefits

- Cost-effective PCB designs for up to 100 A with forced cooling \*
- EIS (elektrical insulation system E332676) for currents > 20A acc. to UL 1446
- Compact size and light weight
- Low magnetic leakage flux
- Excellent winding insulation
- Standardized foot print
- Broad range of inductance ratings
- Custom-specific versions on request

## Typical Applications

- AC and DC filtering for midsize power range drives, photovoltaic inverters, fast chargers, EV charging stations, UPS and switch mode power supplies
- Filter with low leakage current noise or improved immunity against grid disturbances
- Electronic devices, automation and (industrial) LED lighting
- Communication devices
- Medical and laboratory Equipment
- Converters

## Typical electrical schematic



## General Specification

Voltage AC	600 (Volt)
Nominal Frequency	50
Rated Current @ambient	8
Ambient temperature [°C]	60

## Electric Specification

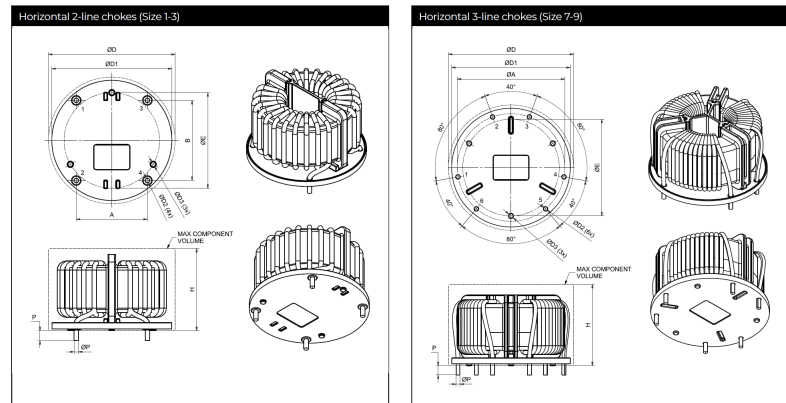
Input terminal	02 - PCB Pin
----------------	--------------

## Attenuation Specification

Inductance L1	4.8 (Millihenry)
---------------	------------------

### Attenuation graph

All dimensions in mm; 1 inch = 25.4 mm  
Tolerances according: ISO 2768-m/EN 22768-m



### Dimensions

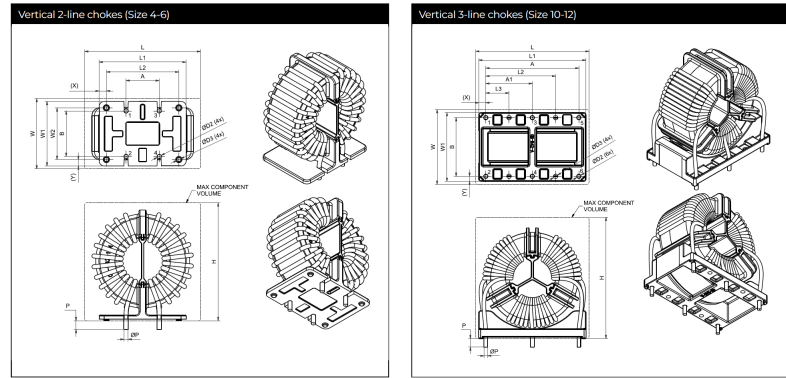
	A	B	ØD	H	ØD1	ØD2	ØD3	ØE
	(±0.5)	(±0.5)	(max)	(max)	(±0.5)			
Size1 (RT8122-6-10M0, RT8122-8-8M0, RT8122-10-6M0)	21	25	45	34	42	1.5	2.5	36
Size2 (RT8122-12-5M0, RT8122-16-4M0)	26	30	51	33	48	1.9	2.5	40
Size3 (RT8122-20-3M0)	32	36	57	37	54	2.1	2.5	43
Size 7 (RT8132-6-6M0, RT8132-8-4M8)	38	-	46	34	43	1.4	2.5	35
Size 8 (RT8132-10-4M0, RT8132-12-3M6)	44	-	51	33	48	1.7	2.5	40
Size 9 (RT8132-16-3M0, RT8132-20-2M5)	49	-	57	37	54	2.3	2.5	44

# Mechanic Specification

## Schaffner schemes

### Mechanical Data Image

All dimensions in mm; 1 inch = 25.4 mm  
Tolerances according: ISO 2768-m/EN 22768-m



### Dimensions

	A	A1	B	L	W	H	L1	L2	L3	W1	W2	ØD2	ØD3	X	Y
	(±0.5)	(±0.5)	(±0.5)	(max)	(max)	(max)	(±0.5)	(±0.5)	(±0.5)	(±0.5)	(±0.5)				
<b>Size 4 (RT8522-6-10M0, RT8522-8-8M0, RT 8522-10-6M0)</b>	16	-	20	43	32	44	32	26	-	27.8	22	1.5	2.5	3	2.9
<b>Size 5 (RT8522-12-5M0, RT8522-16-4M0)</b>	16	-	22	50	32	52	39	33	-	27	23	1.9	2.5	3	2
<b>Size 6 (RT8522-20-3M0)</b>	16	-	22	56	32	57	42	35	-	31.2	25	2.1	2.5	3.5	3.1
<b>Size 10 (RT8532-6-6M0, RT8532-8-4M8)</b>	36	18	24	44	32	47	41	27	9	29	-	1.4	1.4	2.5	2.5
<b>Size 11 (RT8532-10-4M0, RT8532-12-3M6)</b>	38	19	24	49	34	53	46	28.5	9.5	31	-	1.7	1.7	4	3.5
<b>Size 12 (RT8532-16-3M0, RT8532-20-2M5)</b>	46	23	29	56	37	60	53	34.5	11.5	34	-	2.2	2.2	3.5	2.5

## Dimensions