

# FN2660-20-08-C0909

SAP Code: 821819



- Chassis mount
- 20 A IEC inlet EMC filter with screw terminals
- 1 Phase

[Buy article now](#)


## Features and Benefits

- FN2640 / FN2660 series fits perfectly within 1HU height for rack mount applications
- The filters are built to fit perfectly to datacenter and audio video equipment
- The shape allows convenient and space-saving installation
- Fulfills the requirements in IEC/EN 62040-1 - Uninterruptible power systems (UPS)
- Fulfills the requirements in IEC 62368-1 - Audio/Video, Information and Communication Technology Equipment
- Fulfills the requirements in IEC/EN 60335-1 - Household and similar appliances

## Typical Applications

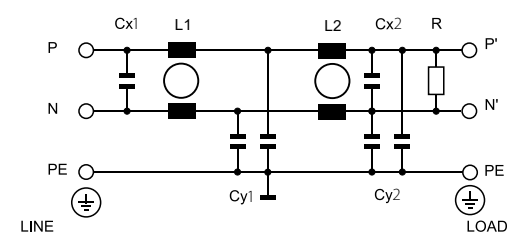
- Robotics, collaborative robots, autonomous machines
- Audio and video equipment
- UPS - Uninterruptible power supplies

## Family Technical Specifications

|   |  |
|---|--|
| Operating frequency                       | DC to 60 Hz  |
| Climatic category                         | 40/085/21 acc. IEC60068-1                                      |
| Surge withstand                           | 2 kV Ph-Ph / 4 kV Ph-PE (Level 4)                              |
| High potential test voltage               | P → N 1500 VDC for 2 sec*<br>P/N → PE 2500 VDC for 2 sec*      |
| Rated operating voltage                   | 250 VAC  |
| Altitude                                  | Derating above 2000 m  |
| Certified to                              | UL 60939-3, IEC/EN 60939, GB/T 15287                           |
| MTBF                                      | > 300,000 h  |
| Protection category                       | IP00 / IP20 for -103 terminal                                  |
| Protection category                       | 2 acc. IEC 60664-1   |
| Rated currents                            | 20   |
| Vibration and shock                       | 3M12 acc. IEC 60721-3-3  |
| Overtoltage category                      | II acc. IEC 60664-1  |
| Temperature range (operation and storage) | -40°C to +85°C (with derating >40°C)                           |
| Overload capability                       | 1.5 x rated current for 1 minute once per hour                 |
| Cooling                                   | Natural cooling AN   |
| Flammability corresponding to             | Plastic Material: UL 94 V0<br>Laces for -07 version: UL 94 VW1 |

\* High potential test voltage: Repetition with max. 80% of specified values

### Typical electrical schematic



## General Specification

|                          |            |
|--------------------------|------------|
| Voltage AC               | 250 (Volt) |
| Nominal Frequency        | 50         |
| Rated Current @ambient   | 20         |
| Ambient temperature [°C] | 40         |

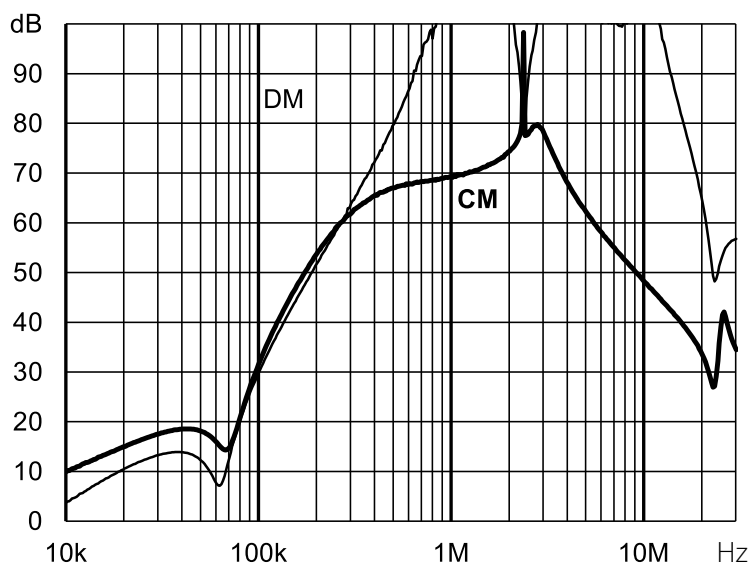
## Electric Specification

|                                 |                        |
|---------------------------------|------------------------|
| Leakage current (IEC60939) [mA] | 0.35                   |
| Input terminal                  | 27 - IEC-plug          |
| Output terminal                 | 08 - M4 screw terminal |
| Resistance                      | 680 (Kilohm)           |

## Attenuation Specification

|                              |                   |
|------------------------------|-------------------|
| CM attenuation @ 150kHz [dB] | 41 (Decibels)     |
| DM attenuation @ 150kHz [dB] | 34 (Decibels)     |
| Inductance L1 [μH]           | 2.4 (Millihenry)  |
| Inductance L2 [μH]           | 2.4 (Millihenry)  |
| Capacitance Cx1 [μF]         | 1 (Microfarad)    |
| Capacitance Cx2 [μF]         | 0.47 (Microfarad) |
| Capacitance Cy1 [nF]         | 2.2 (Nanofarad)   |
| Capacitance Cy2 [nF]         | 2.2 (Nanofarad)   |

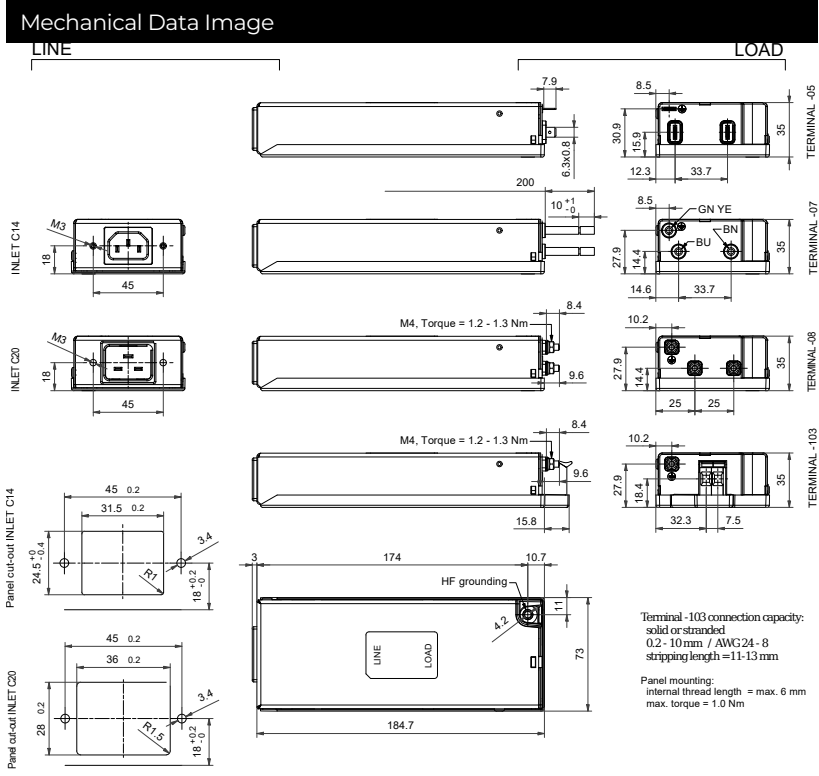
Attenuation graph



## Mechanic Specification

|                           |                        |
|---------------------------|------------------------|
| Length [mm]               | 184.7                  |
| Width [mm]                | 73                     |
| Height [mm]               | 35                     |
| Volume [cm <sup>3</sup> ] | 472 (Cubic Centimeter) |
| NetWeight [g]             | 543 (Gram)             |
| Power Loss [W]            | 10.6 (Watt)            |

## Schaffner schemes



## Dimensions