

# FN2660-20-05-C0909

SAP Code: 821817



- Chassis mount
- 20 A IEC inlet EMC filter with fast-ons
- 1 Phase

[Buy article now](#)


## Features and Benefits

- FN2640 / FN2660 series fits perfectly within 1HU height for rack mount applications
- The filters are built to fit perfectly to datacenter and audio video equipment
- The shape allows convenient and space-saving installation
- Fulfills the requirements in IEC/EN 62040-1 - Uninterruptible power systems (UPS)
- Fulfills the requirements in IEC 62368-1 - Audio/Video, Information and Communication Technology Equipment
- Fulfills the requirements in IEC/EN 60335-1 - Household and similar appliances

## Typical Applications

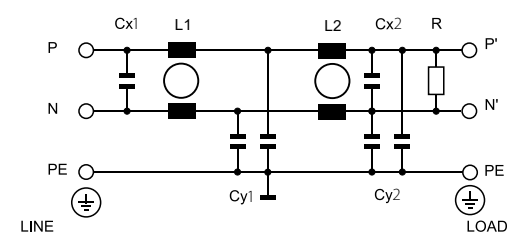
- Robotics, collaborative robots, autonomous machines
- Audio and video equipment
- UPS - Uninterruptible power supplies

## Family Technical Specifications

<b>Operating frequency</b>	DC to 60 Hz
<b>Climatic category</b>	40/085/21 acc. IEC60068-1
<b>Surge withstand</b>	2 kV Ph-Ph / 4 kV Ph-PE (Level 4)
<b>High potential test voltage</b>	P → N 1500 VDC for 2 sec* P/N → PE 2500 VDC for 2 sec*
<b>Rated operating voltage</b>	250 VAC
<b>Altitude</b>	Derating above 2000 m
<b>Certified to</b>	UL 60939-3, IEC/EN 60939, GB/T 15287
<b>MTBF</b>	> 300,000 h
<b>Protection category</b>	IP00 / IP20 for -103 terminal
<b>Protection category</b>	2 acc. IEC 60664-1
<b>Rated currents</b>	20
<b>Vibration and shock</b>	3M12 acc. IEC 60721-3-3
<b>Overtoltage category</b>	II acc. IEC 60664-1
<b>Temperature range (operation and storage)</b>	-40°C to +85°C (with derating >40°C)
<b>Overload capability</b>	1.5 x rated current for 1 minute once per hour
<b>Cooling</b>	Natural cooling AN
<b>Flammability corresponding to</b>	Plastic Material: UL 94 V0 Laces for -07 version: UL 94 VW1

\* High potential test voltage: Repetition with max. 80% of specified values

### Typical electrical schematic



## General Specification

Voltage AC	250 (Volt)
Nominal Frequency	50
Rated Current @ambient	20
Ambient temperature [°C]	40

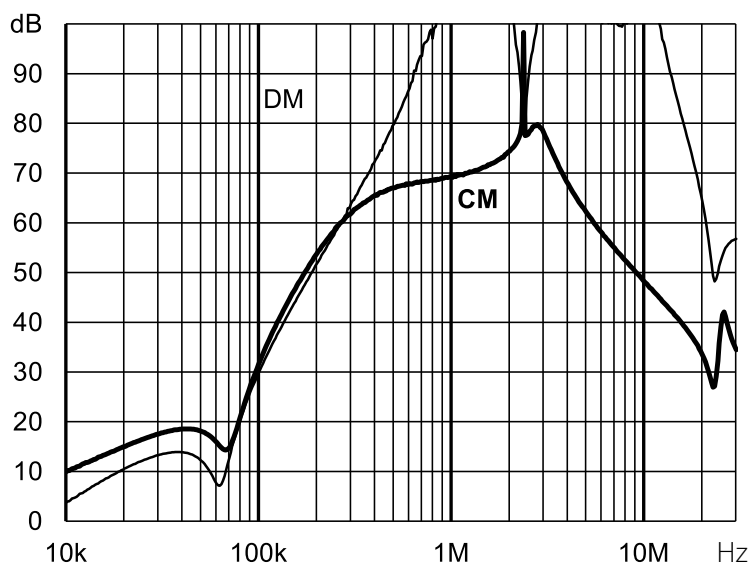
## Electric Specification

Leakage current (IEC60939) [mA]	0.35
Input terminal	27 - IEC-plug
Output terminal	05 - faston 6.3x0.8
Resistance	680 (Kilohm)

## Attenuation Specification

CM attenuation @ 150kHz [dB]	41 (Decibels)
DM attenuation @ 150kHz [dB]	34 (Decibels)
Inductance L1 [μH]	2.4 (Millihenry)
Inductance L2 [μH]	2.4 (Millihenry)
Capacitance Cx1 [μF]	1 (Microfarad)
Capacitance Cx2 [μF]	0.47 (Microfarad)
Capacitance Cy1 [nF]	2.2 (Nanofarad)
Capacitance Cy2 [nF]	2.2 (Nanofarad)

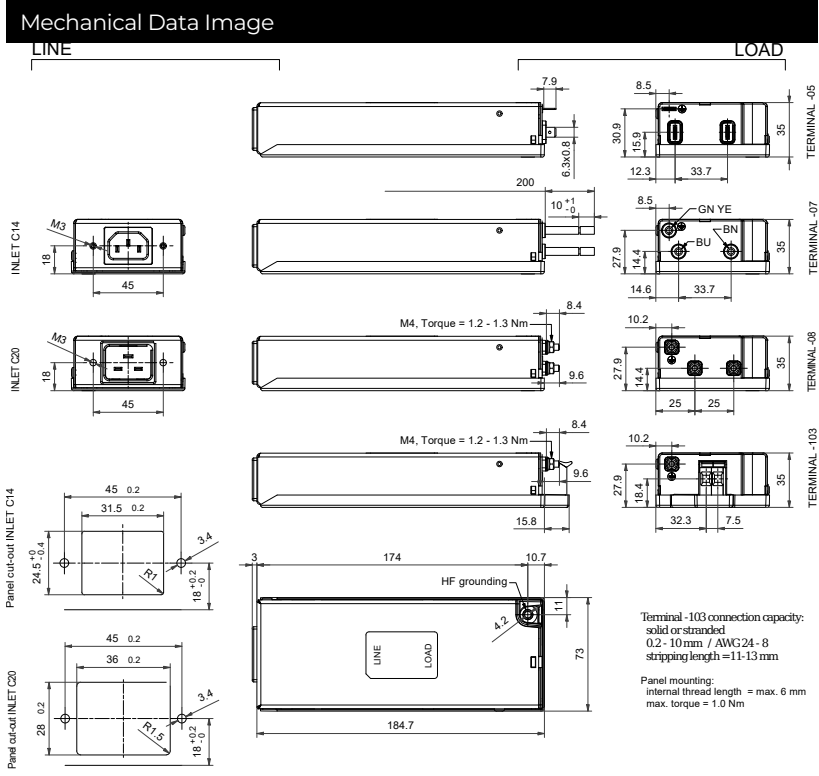
Attenuation graph



## Mechanic Specification

Length [mm]	184.7
Width [mm]	73
Height [mm]	35
Volume [cm <sup>3</sup> ]	472 (Cubic Centimeter)
NetWeight [g]	493 (Gram)
Power Loss [W]	10.6 (Watt)

## Schaffner schemes



## Dimensions