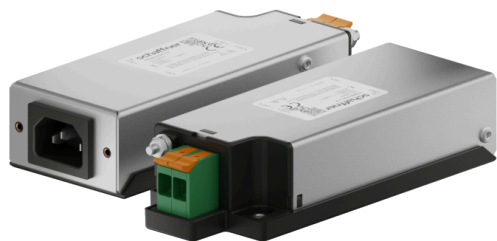
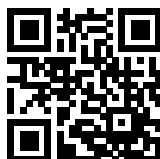


FN2640-10-103-C11 821770

- Chassis mount
- 10 A IEC inlet EMC filter with push-in terminals
- 1 Phase


[Buy article now](#)


Family Technical Specifications

| | |
|--|--|
| Rated operating voltage | 250 VAC |
| Operating frequency | DC to 60 Hz |
| Certified to | UL 60939-3, IEC/EN 60939, GB/T 15287 |
| MTBF | > 300,000 h |
| Protection category | IP00 / IP20 for -103 terminal |
| Pollution degree | 2 acc. IEC 60664-1 |
| Vibration and shock | 3M12 acc. IEC 60721-3-3 |
| Temperature range (operation and storage) | -40°C to +100°C (with derating >40°C) FN2660: -40°C to +85°C (with derating >40°C) |
| Rated currents | 10 |
| Overvoltage category | II acc. IEC 60664-1 |
| Overload capability | 1.5 x rated current for 1 minute once per hour |
| Cooling | Natural cooling AN |
| Climatic category | 40/100/21 acc. IEC60068-1 FN2660: 40/085/21 acc. IEC60068-1 FN2660: 40/085/21 acc. IEC60068-1 FN2660: 40/085/21 acc. IEC60068-1 |
| Flammability according to | Plastic Material: UL 94 V0 Laces for -07 version: UL 94 VW1 |
| Surge withstand | 2 kV Ph-Ph / 4 kV Ph-PE (Level 4) |
| High potential test voltage | P → N 1500 VDC for 2 sec* P/N → PE 2500 VDC for 2 sec* |
| Altitude | Derating above 2000 m |

* High potential test voltage: Repetition with max. 80% of specified values

Approvals & Compliances



Certifications FN2660 pending

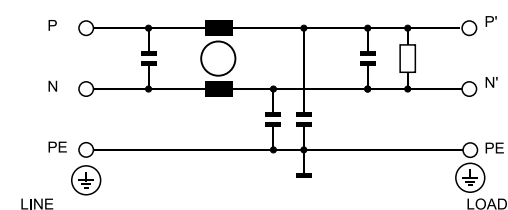
Features and Benefits

- FN2640 series fits perfectly within 1HU height for rack mount
- The filters are built to fit perfectly to datacenter and audio video equipment
- The shape allows convenient and space-saving installation
- Fulfills the requirements in IEC/EN 62040-1 - Uninterruptible power systems (UPS)
- Fulfills the requirements in IEC 62368-1 - Audio/Video, Information and Communication Technology Equipment
- Fulfills the requirements in IEC/EN 60335-1 - Household and similar appliances

Typical Applications

- Robotics, collaborative robots, autonomous machines
- Audio and video equipment
- UPS - Uninterruptible power supplies

Typical electrical schematic



General Specification

| | |
|--------------------------|------------|
| Voltage AC | 250 (Volt) |
| Nominal Frequency | 50 |
| Rated Current @ambient | 10 |
| Ambient temperature [°C] | 40 |

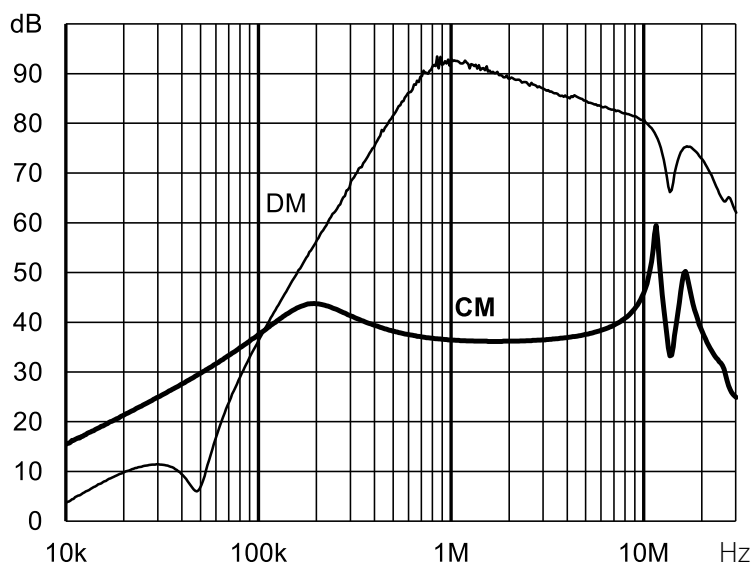
Electric Specification

| | |
|---------------------------------|------------------------|
| Leakage current (IEC60939) [mA] | 0.37 |
| Input terminal | 27 - IEC-plug |
| Output terminal | 103 - push-in terminal |
| Resistance | 680 (Kiloohm) |

Attenuation Specification

| | |
|------------------------------|-------------------|
| CM attenuation @ 150kHz [dB] | 38 (Decibels) |
| DM attenuation @ 150kHz [dB] | 38 (Decibels) |
| Inductance L1 [μH] | 8.3 (Millihenry) |
| Capacitance Cx1 [μF] | 1 (Microfarad) |
| Capacitance Cx2 [μF] | 0.47 (Microfarad) |
| Capacitance Cy1 [nF] | 4.7 (Nanofarad) |

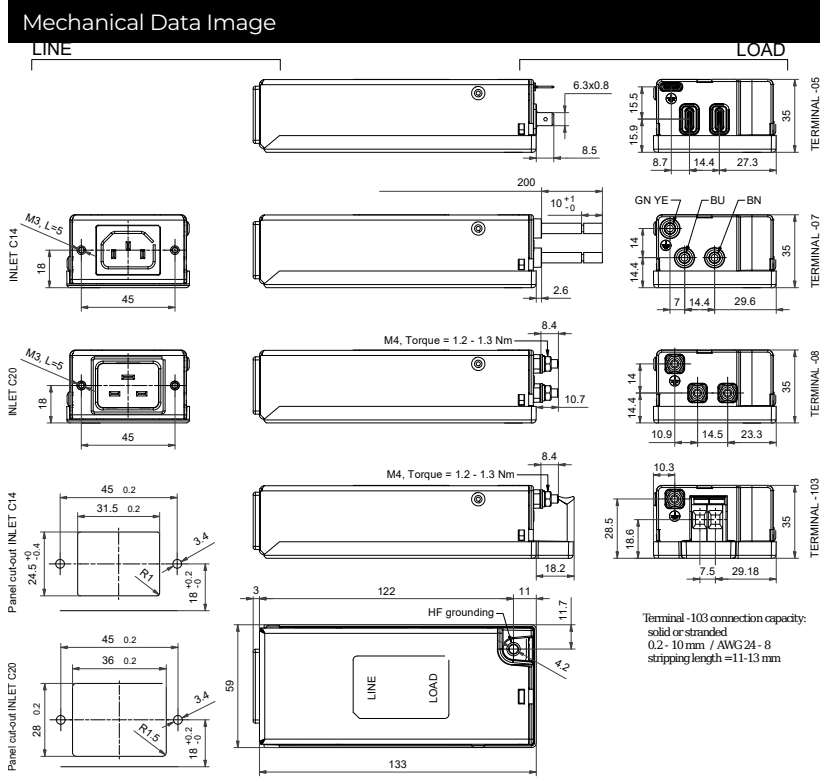
Attenuation graph



Mechanic Specification

| | |
|---------------------------|------------------------|
| Length [mm] | 133 |
| Width [mm] | 59 |
| Height [mm] | 35 |
| Volume [cm ³] | 275 (Cubic Centimeter) |
| NetWeight [kg] | 270 (Gram) |
| Power Loss [W] | 5.2 (Watt) |

Schaffner schemes



Dimensions