

# FN2200-1000-99

SAP Code: 803471



- Chassis mount
- 1 A EMC filter with bus bars
- DC

Buy article now



## Approvals & Compliances



(cURus:600 VDC) (ENEC14: 600 VDC)

## Family Technical Specifications

<b>Maximum continuous operating voltage</b>	Max. 1200 VDC
<b>Operating frequency</b>	DC
<b>Rated currents</b>	1000
<b>High potential test voltage</b>	P → E 3600 VDC for 2 sec P → P 3000 VDC for 2 sec
<b>Protection category</b>	IP 20 (25 to 150 A types) IP 00 (250 to 2300 A types)
<b>Overload capability</b>	4x rated current at switch on, 1.5x rated current for 1 minute, once per hour
<b>Temperature range (operation and storage)</b>	-40°C to +100°C (40/100/21)
<b>Design corresponding to</b>	UL 1283, CSA 22.2 No. 8 1986, IEC/EN 60939
<b>Flammability corresponding to</b>	UL 94 V-2 or better

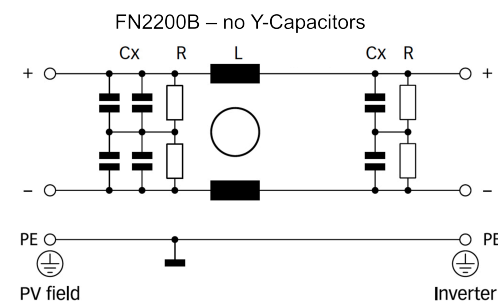
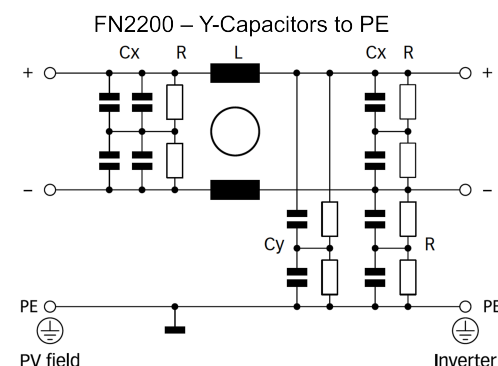
## Features and Benefits

Installed between the PV inverter and the solar panel, FN2200 DC filters help to control conducted emissions on the panel side of the system and therefore reduce the potential for interference radiation off the panel. The filter also protects the solar panel from HF stray and leakage currents which can cause pre-mature aging in the PV modules.

## Typical Applications

FN 2200 are primarily designed for PV inverters. However, they can potentially also be used in other DC applications within published specifications, like UPS, DC motor drives, or DC quick chargers.

## Typical electrical schematic



## General Specification

Voltage AC	1200 (Volt)
Nominal Frequency	DC
Rated Current @ambient	1000
Ambient temperature [°C]	55

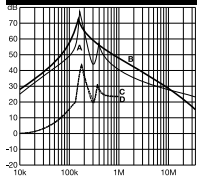
## Electric Specification

Input terminal	99 - special / busbar
Output terminal	99 - special / busbar

## Attenuation Specification

CM attenuation @ 150kHz [dB]	62 (Decibels)
DM attenuation @ 150kHz [dB]	16 (Decibels)

Attenuation graph

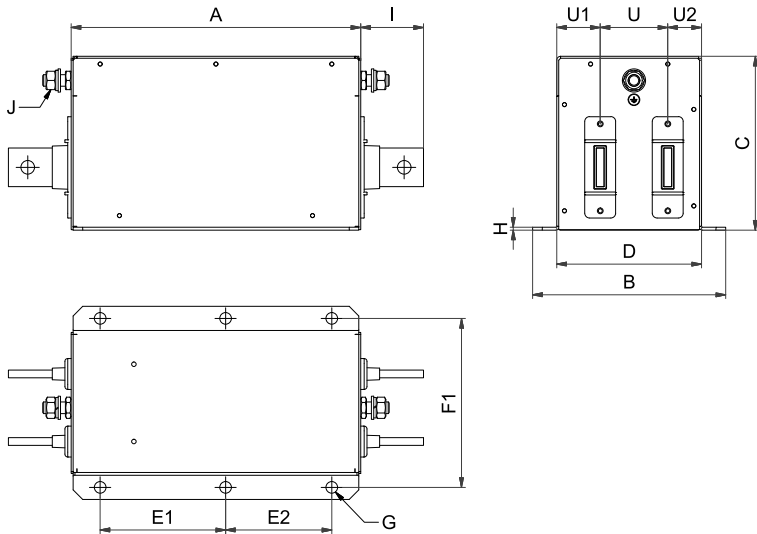


## Mechanic Specification

Length [mm]	300
Width [mm]	150
Height [mm]	140
Volume [cm <sup>3</sup> ]	6300 (Cubic Centimeter)
NetWeight [g]	9400 (Gram)
Power Loss [W]	40 (Watt)

## Schaffner schemes

### Mechanical Data Image



## Dimensions

A [mm]	300
B [mm]	200
C [mm]	140
D [mm]	150
E [mm]	130, 110
F [mm]	175
G [mm]	Ø 12
H [mm]	3
I [mm]	65
J [mm]	M12
U [mm]	70, 45, 32
V [mm]	40
W [mm]	8
X [mm]	20
Y [mm]	65
Z [mm]	Ø 14