

FN2200B-75-34

SAP Code: 803514



- Chassis mount
- 75 A EMC filter with terminal blocks
- DC

[Buy article now](#)



Family Technical Specifications

Maximum continuous operating voltage	Max. 1200 VDC
Operating frequency	DC
Rated currents	75
High potential test voltage	P → E 3600 VDC for 2 sec P → P 3000 VDC for 2 sec
Protection category	IP 20 (25 to 150 A types) IP 00 (250 to 2300 A types)
Overload capability	4x rated current at switch on, 1.5x rated current for 1 minute, once per hour
Temperature range (operation and storage)	-40°C to +100°C (40/100/21)
Design corresponding to	UL 1283, CSA 22.2 No. 8 1986, IEC/EN 60939
Flammability corresponding to	UL 94 V-2 or better

Approvals & Compliances



(cURus:600 VDC) (ENEC14: 600 VDC)

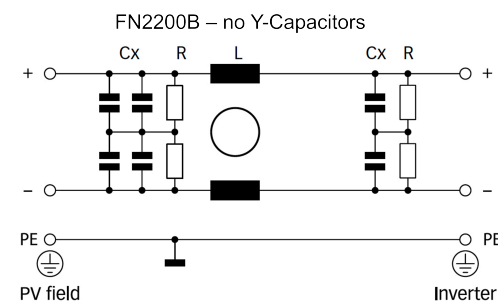
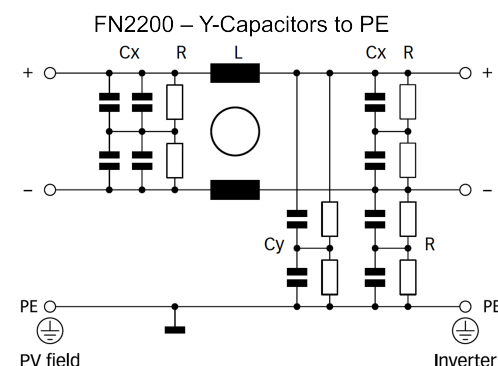
Features and Benefits

Installed between the PV inverter and the solar panel, FN2200 DC filters help to control conducted emissions on the panel side of the system and therefore reduce the potential for interference radiation off the panel. The filter also protects the solar panel from HF stray and leakage currents which can cause pre-mature aging in the PV modules.

Typical Applications

FN 2200 are primarily designed for PV inverters. However, they can potentially also be used in other DC applications within published specifications, like UPS, DC motor drives, or DC quick chargers.

Typical electrical schematic



General Specification

Voltage AC	1200 (Volt)
Nominal Frequency	DC
Rated Current @ambient	75
Ambient temperature [°C]	55

Electric Specification

Input terminal	34 - STB25 25mm ²
Output terminal	34 - STB25 25mm ²

Attenuation Specification

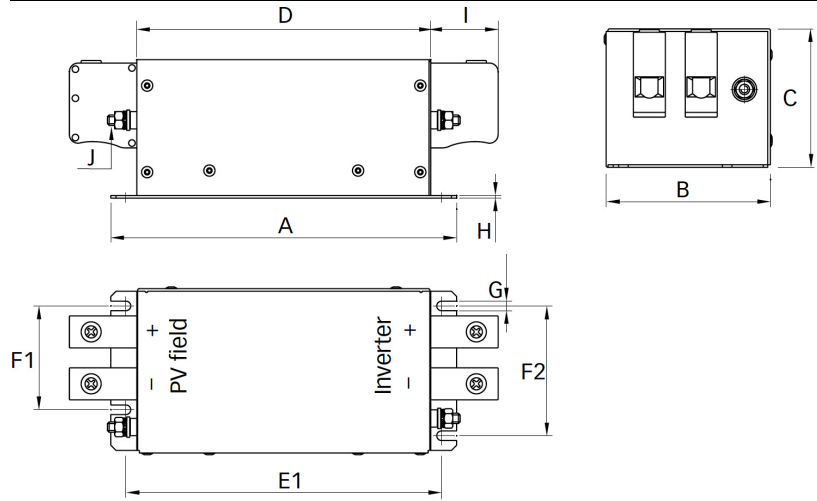
DM attenuation @ 150kHz [dB]	29 (Decibels)
------------------------------	---------------

Mechanic Specification

Length [mm]	170
Width [mm]	95
Height [mm]	80
Volume [cm ³]	1292 (Cubic Centimeter)
NetWeight [g]	1700 (Gram)
Power Loss [W]	18 (Watt)

Schaffner schemes

Mechanical Data Image



Dimensions

A [mm]	200
B [mm]	95
C [mm]	80
D [mm]	170
E [mm]	182.5
F [mm]	60,75
G [mm]	5.5
H [mm]	1.5
I [mm]	39
J [mm]	M6