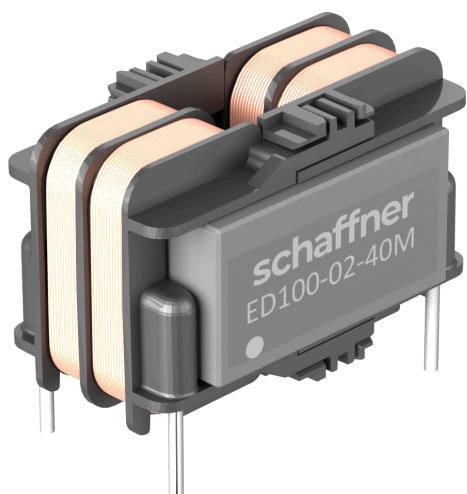
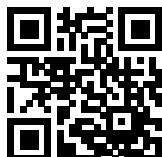


# ED101-1.25-7M0

SAP Code: 822546



- PCB Common Mode Choke
- 1.25 A PCB Common Mode Choke with 7 mH Inductance
- General

[Buy article now](#)


## Family Technical Specifications

|  |   |
|--|---|
| <b>MTBF</b>                                      | > 13,000,000 hours acc. MIL-HDBK-217                  |
| <b>Vibration and shock</b>                       | 3M4 acc. IEC 60721-3-3                                |
| <b>Maximum continuous operating voltage</b>      | 300 VAC, 50/60 Hz                                     |
| <b>Altitude</b>                                  | Derating above 2,000 m                                |
| <b>Climatic class</b>                            | 40/125/56 acc. IEC 60068-1                            |
| <b>Creepage and clearance distances</b>          | Creepage > 3 mm / Clearance > 2.5 mm between windings |
| <b>Overtoltage category</b>                      | II acc. IEC 60664-1                                   |
| <b>Design corresponding to</b>                   | IEC 60938-1/-2  |
| <b>Protection category</b>                       | IP 00   |
| <b>Pollution degree</b>                          | PD2 acc. IEC 60664-1                                  |
| <b>Rated currents</b>                            | 1.25  |
| <b>Inductance reduction (DC bias with IN)</b>    | Less than 10% at rated current                        |
| <b>Cooling</b>                                   | AN - natural convection                               |
| <b>Rated inductance</b>                          | 3 to 40 mH common-mode                                |
| <b>Stray inductance</b>                          | 0.1 - 3.1 mH  |
| <b>Flammability corresponding to</b>             | UL 94 V-0   |
| <b>Operating frequency</b>                       | DC to 60 Hz   |
| <b>Temperature range (operation and storage)</b> | -40°C to 125°C  |

## Approvals & Compliances

### RoHS

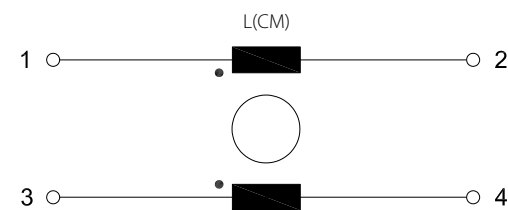
## Features and Benefits

- Increases power factor
- Combination of common- and differential-mode inductances
- Rated currents up to 2 A
- Compact and light-weight
- Small PCB footprint

## Typical Applications

- Mains operated LED drivers
- Electronic ballasts
- Input filters for switch mode power supplies

## Typical electrical schematic



## General Specification

|                          |            |
|--------------------------|------------|
| Voltage AC               | 300 (Volt) |
| Nominal Frequency        | 50         |
| Rated Current @ambient   | 1.25       |
| Ambient temperature [°C] | 65         |

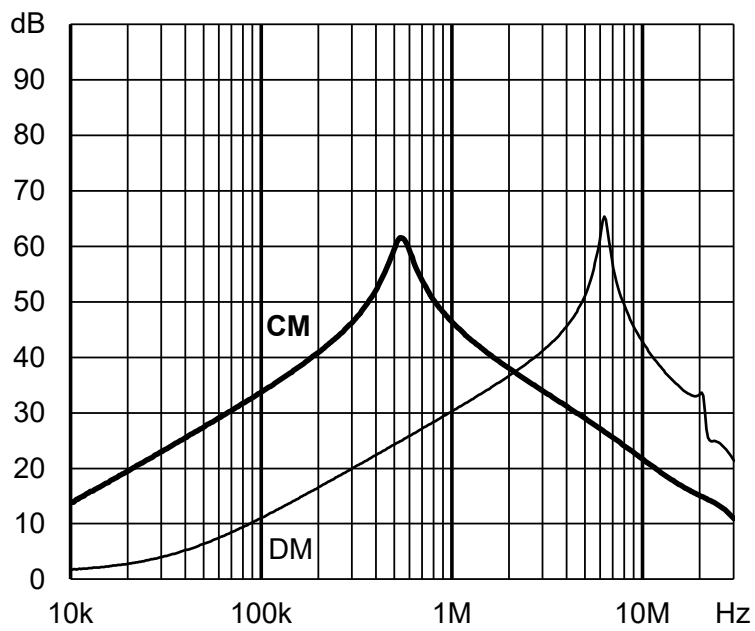
## Electric Specification

|                |              |
|----------------|--------------|
| Input terminal | 02 - PCB Pin |
|----------------|--------------|

## Attenuation Specification

|               |                |
|---------------|----------------|
| Inductance L1 | 7 (Millihenry) |
|---------------|----------------|

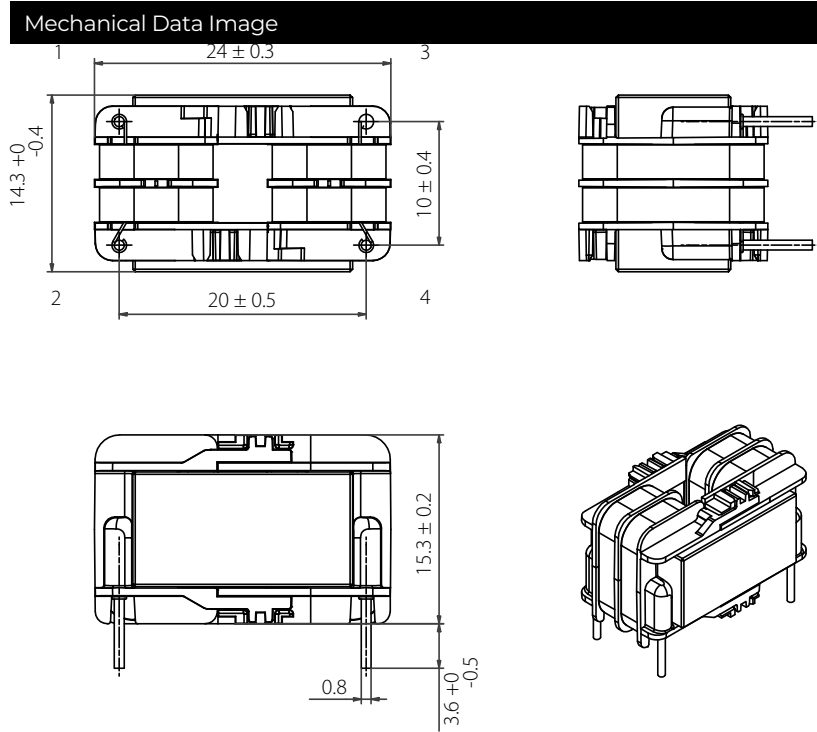
Attenuation graph



## Mechanic Specification

|               |           |
|---------------|-----------|
| Length [mm]   | 24        |
| Width [mm]    | 14.3      |
| Height [mm]   | 15.3      |
| NetWeight [g] | 13 (Gram) |
| ø Pin [mm]    | 0.8       |

## Schaffner schemes



## Dimensions

|        |      |
|--------|------|
| H [mm] | 15.3 |
| L [mm] | 24   |
| W [mm] | 14.3 |