



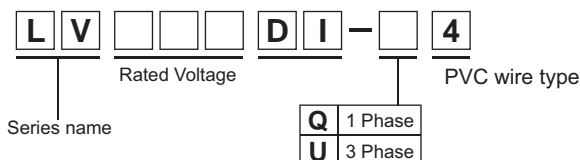
Features

- SPD with a fail safe function to prevent short-circuit (separation of circuit and element is visually confirmable)
- Compliance with IEC 61643-1 that meets the new JIS standards
- Against indirect lightning surge for single phase / three phase power supplies
- Quick response for surge
- Impulse current capacity 8/20 μ s-5,000A
- Impulse test category: Class II (Type II)
- Every pathway consists of same elements. Between line and line/between lines and ground can protect as the same level.

Applications

- Tapping machine, NC machine, other machine tools
- Lithography equipment, Washing device, IC tester
- Injection molding machine, Winding machine, Surface mounter
- Vehicle air conditioner
- Servo amplifier
- Electric facility, Industrial equipment

- Model numbering system



Safety Standard	Model Number	Schaffner Partnumber
 	LV150DI-Q4	821612*
	LV275DI-Q4	821613
	LV275DI-U4	821614*
	LV480DI-Q4	821615*
	LV480DI-U4	821616*
	LV550DI-U4	821617

*available on request

Electrical Specifications

Safety Standard	Model Number	Rated Voltage 50/60Hz		DC Operating Voltage (V) \pm 25%	Voltage Protection Level (V)	Nominal Discharge Current 8/20 μ s (A)	Max. Discharge Current 8/20 μ s (A)	Impulse Life Test 8/20 μ s-1,000A
 	LV150DI-Q4	Single Phase	AC150V	450	1,200	2,500	5,000	Approx. 500 times
	LV275DI-Q4	Single Phase	AC275V	800	1,500			
	LV275DI-U4	Three Phase						
	LV480DI-Q4	Single Phase	AC480V	1,400	2,000			
	LV480DI-U4	Three Phase						
	LV550DI-U4	Three Phase	AC550V	1,600	2,500			

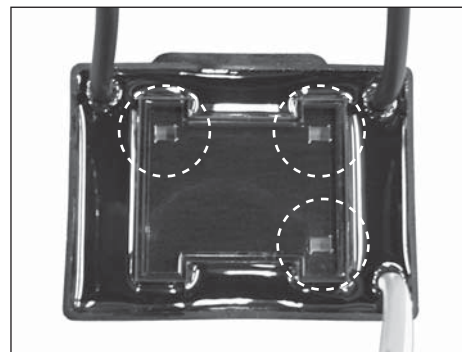
Operating Temperature: -40~+70°C



Safety Standard		File No.
UL	:UL1449 4th.	E322107
cUL	:C22.2 No.8-13	
SEMKO	:IEC61643-1:2005 2nd :EN61643-11:2002 +A11	SE-57200 1400254



- Indicator of disconnecter status



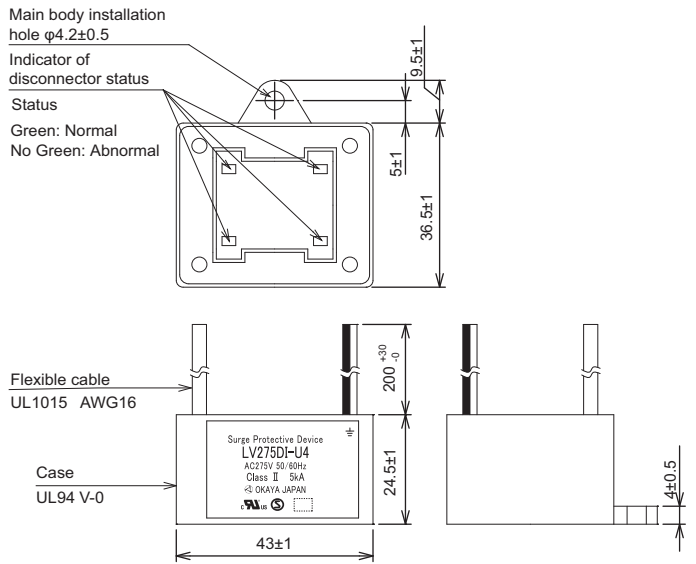
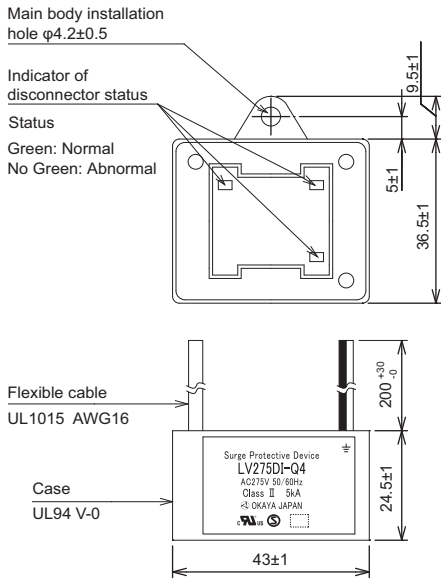
Status

Green: Normal
No Green: Abnormal

• Dimensions

LV-□□□DI-Q4 series (Single-Phase)

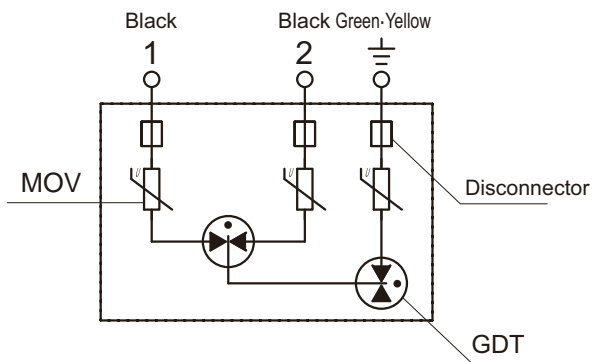
LV-□□□DI-U4 series (Three-Phase)



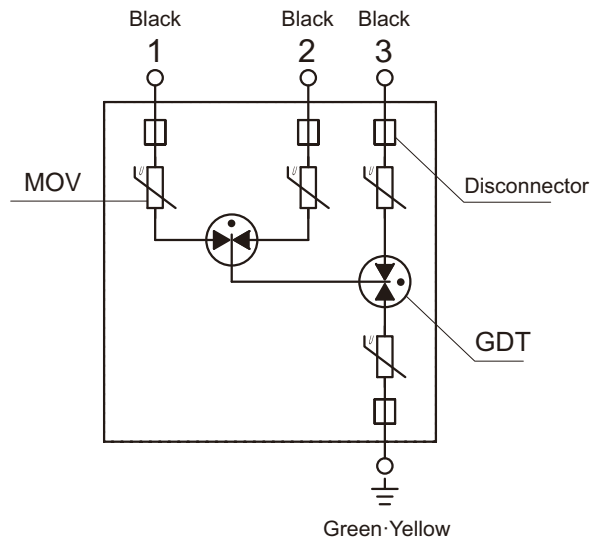
Unit: mm

• Circuit

LV□□□DI-Q4 series



LV□□□DI-U4 series



Flexible wires in black color can connect to each phase without any specific control.