

General Data

Change Nr, Title 20004979, Change Damping Circuit on FN6840-Series
Date of issue 19.10.2020

Category of change

- Materials
- Method
- Manufacturing place
- Machine
- Form
- Fit
- Function

Affected product

Listed in appendix.

Description of change

Damping circuit changes from simple RC- to RLC-circuit.

Reason for change

Reduction of power and heat dissipation in power resistors and keep max. temperature at a level of <130°C at 50°C ambient temperature.

Impact for the customer

Product height slightly increased. No impact on performance of final products.

Identification

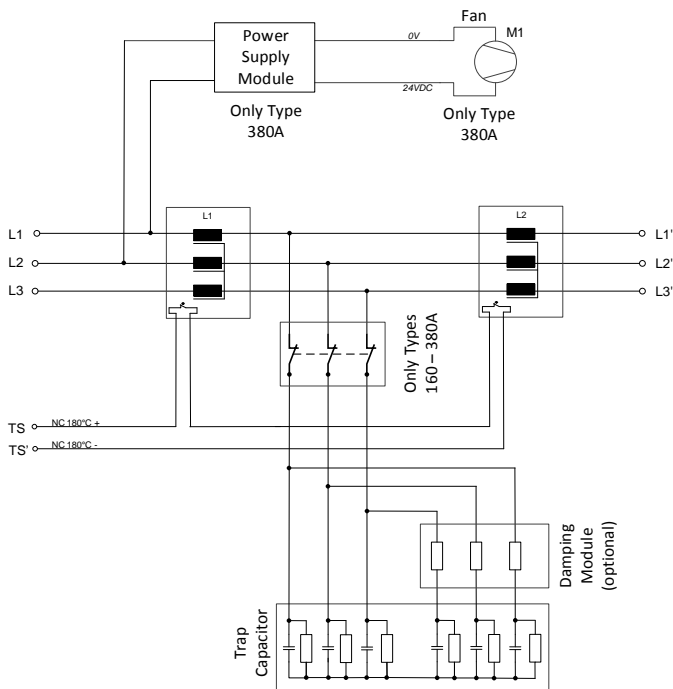


Figure 1: Example of electrical schematic before change

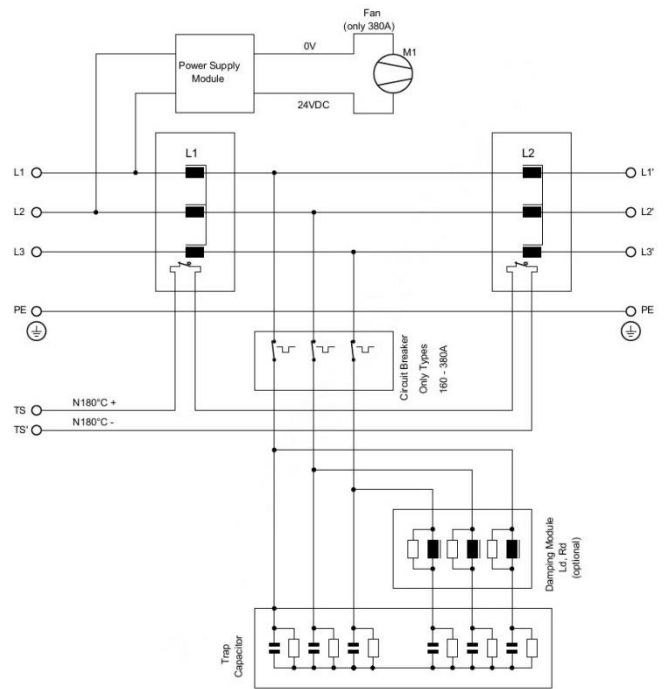


Figure 2: Example of electrical schematic after change

Estimated Schedule

Immediately after document publication. Dependent on depletion of current inventory of material, customer may continue to receive current material beyond the implemented date.

Customer enquiries

You may address any technical enquiries regarding this PCN by sending an E-Mail to pcn@schaffner.com. Please refer to the "Change number" on page 1 for faster response.

Quality assurance measures

Application of ISO9001:2015 and exceeding Schaffner standards for outstanding quality in all involved design centers and manufacturing locations.

19.10.2020

Schaffner Group
Nordstrasse 11e
CH-4542 Luterbach
www.schaffner.com

Appendix

List of affected products

Schaffner Mat. Nr.	Schaffner Description	Customer Mat. Nr.
817470	FN6840-25-113-E0XXR	
817471	FN6840-50-115-E0XXR	
817472	FN6840-80-115-E0XXR	
817473	FN6840-160-118-E0XXR	
817474	FN6840-250-118-E0XXR	
817475	FN6840-380-118-E0FAR	

The listed material numbers are being modified. Related materials that are not explicitly listed on this PCN are not being modified nor discontinued as per the PCN. All mentioned dates apply only to materials explicitly listed on this PCN.